

Service Manual

Telephone Equipment

Model No. **KX-TG3821JX1**
KX-TG3821JX2
KX-TG3822JX1
KX-TG3822JX2
KX-TGA381JX1
KX-TGA381JX2

Supplement-1

2.4GHz Digital Cordless Answering System

1: Black Version

2: Metallic Grey Version

(for UAE)

(for Kuwait)

(for Qatar)

Subject : Adding KX-TG3821JX1, KX-TG3821JX2, KX-TG3822JX1, KX-TG3822JX2, KX-TGA381JX1, KX-TGA381JX2 to the KX-TG3821JX Series.

Note: All other information is the same as KX-TG3821JXB Service Manual (Order No. KM41110502CE). You can download and refer the Service Manual on TSN Server.

Please file and use this supplement manual together with the service manual for Model No. KX-TG3821JXB/KX-TG3821JXM/KX-TG3822JXB/KX-TG3822JXM/KX-TGA381JXB/KX-TGA381JXM, KM41110502CE.

WARNING

This service information is designed for experienced repair technicians only and is not designed for use by the general public. It does not contain warnings or cautions to advise non-technical individuals of potential dangers in attempting to service a product. Products powered by electricity should be serviced or repaired only by experienced professional technicians. Any attempt to service or repair the product or products dealt with in this service information by anyone else could result in serious injury or death.

TABLE OF CONTENTS

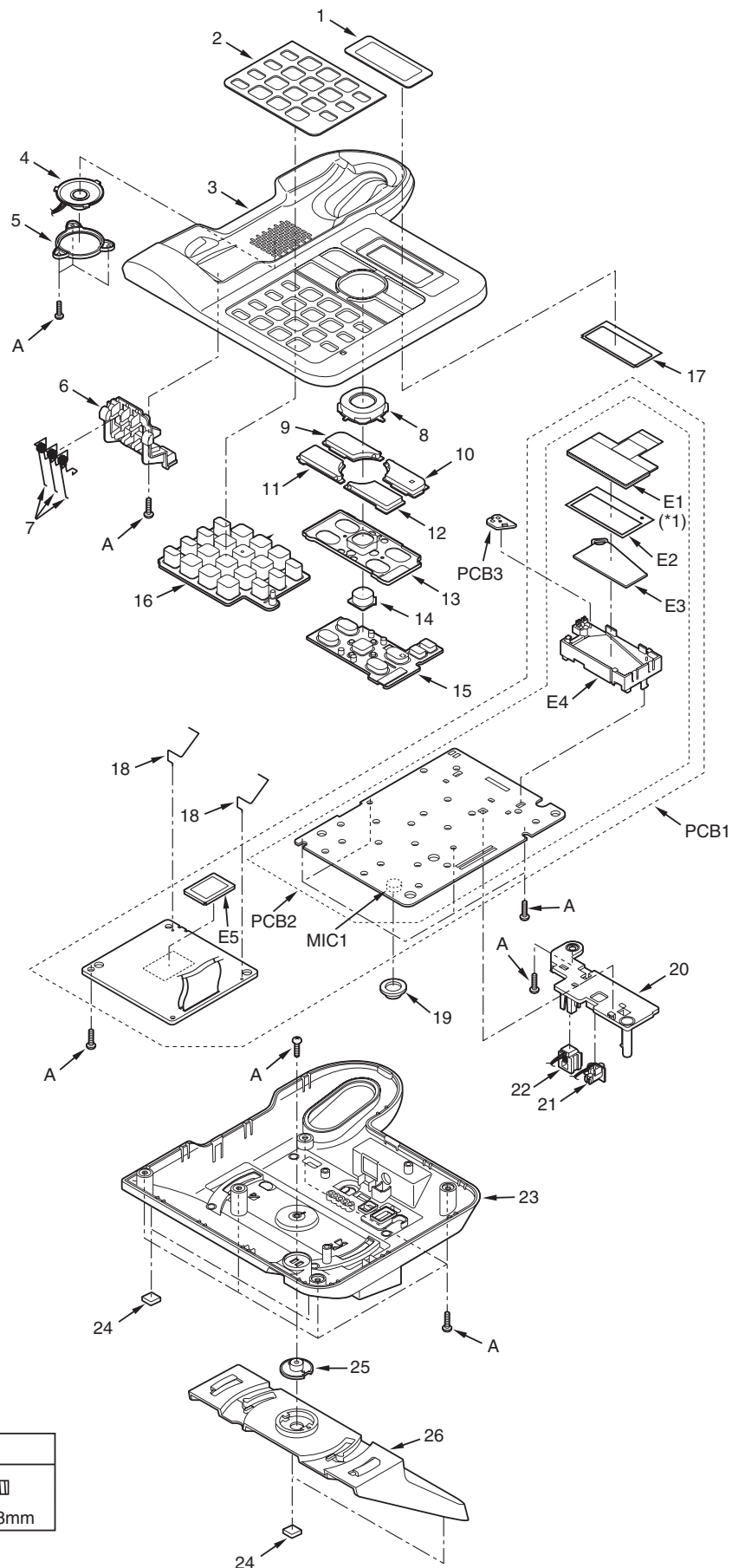
	PAGE		
1 Exploded View and Replacement Parts List -----	2	1.5. Replacement Part List -----	6
1.1. Cabinet and Electrical Parts (Base Unit) -----	2		
1.2. Cabinet and Electrical Parts (Handset) -----	3		
1.3. Cabinet and Electrical Parts (Charger Unit) -----	4		
1.4. Accessories -----	5		


Panasonic[®]

© Panasonic System Networks Co., Ltd. 2012
 Unauthorized copying and distribution is a violation of law.

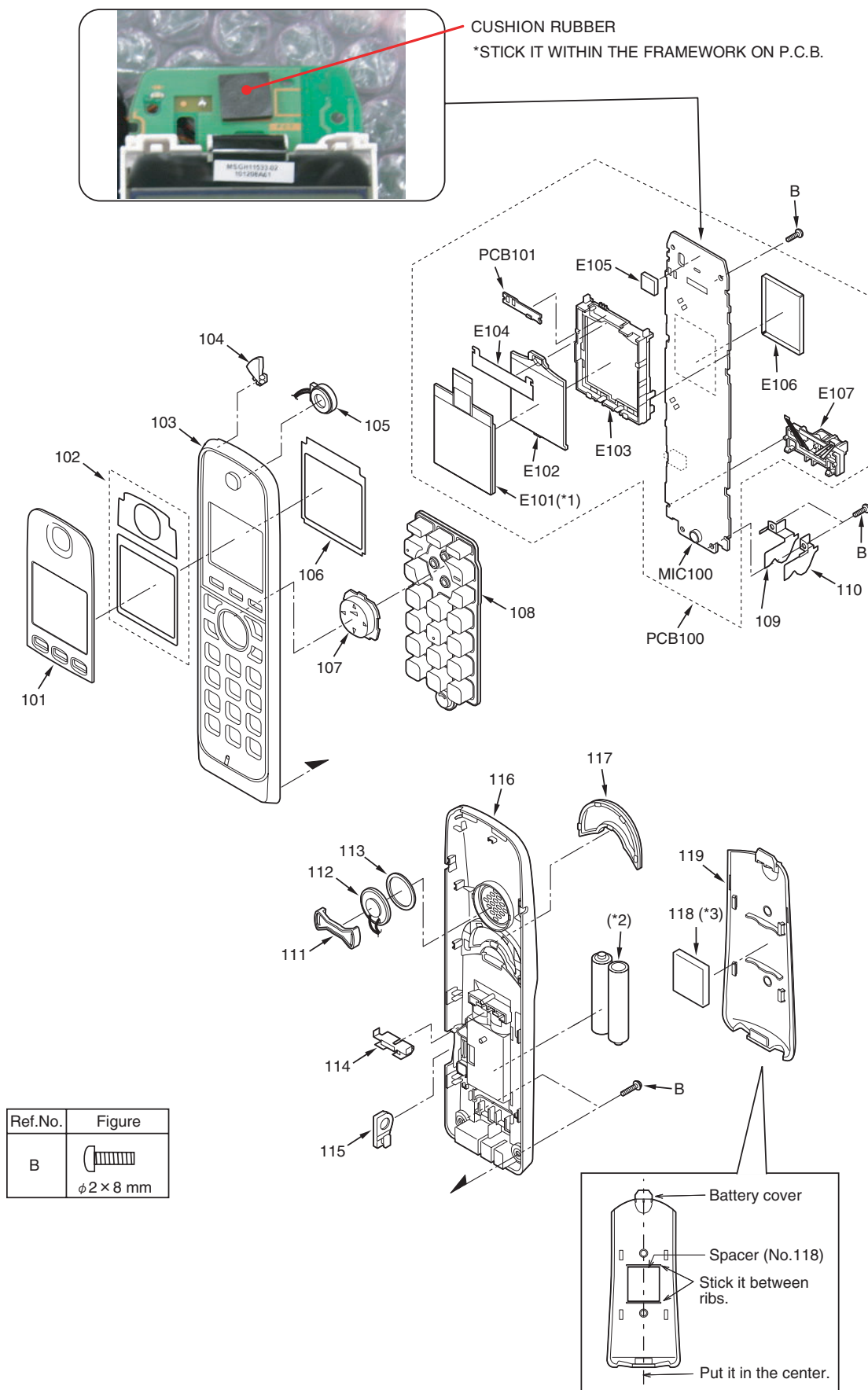
1 Exploded View and Replacement Parts List

1.1. Cabinet and Electrical Parts (Base Unit)



Ref.No.	Figure
A	 φ 2.6 x 8mm

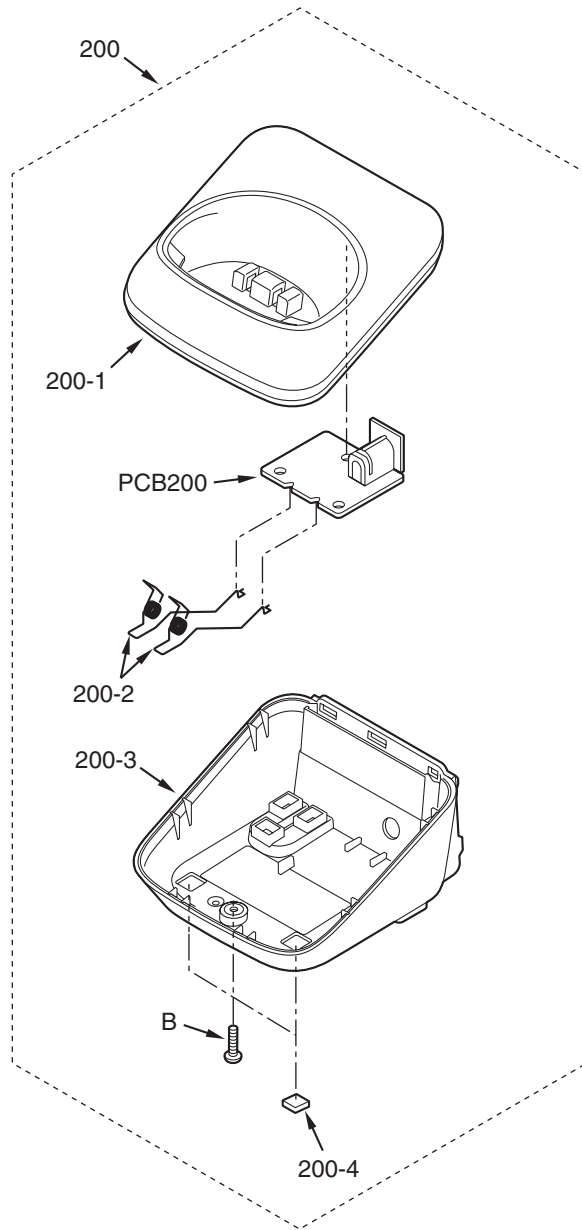
1.2. Cabinet and Electrical Parts (Handset)



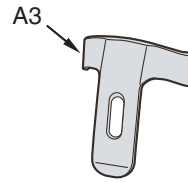
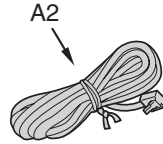
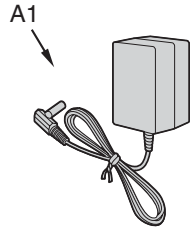
Note:

- (*1) This cable is fixed by welding.
- (*2) The rechargeable Ni-MH battery HHR-4MRT is available through sales route of Panasonic.
- (*3) Attach the SPACER (No. 118) to the exact location described above.

1.3. Cabinet and Electrical Parts (Charger Unit)



1.4. Accessories



1.5. Replacement Part List

1. RTL (Retention Time Limited)

Note:

The "RTL" marking indicates that its Retention Time is Limited.

When production is discontinued, this item will continue to be available only for a specific period of time.

This period of time depends on the type of item, and the local laws governing parts and product retention. At the end of this period, the item will no longer be available.

2. Important safety notice

Components identified by the Δ mark indicates special characteristics important for safety. When replacing any of these components, only use specified manufacture's parts.

3. The S mark means the part is one of some identical parts.

For that reason, it may be different from the installed part.

4. ISO code (Example: ABS-94HB) of the remarks column shows quality of the material and a flame resisting grade about plastics.

5. RESISTORS & CAPACITORS

Unless otherwise specified;

All resistors are in ohms () k=1000 , M=1000k

All capacitors are in MICRO FARADS (μ F) p= μ μF

*Type & Wattage of Resistor

Type

ERC:Solid ERDS:Carbon ERJ:Chip	ERX:Metal Film ERG:Metal Oxide ER0:Metal Film	PQ4R:Chip ERS:Fusible Resistor ERF:Cement Resistor
--------------------------------------	---	--

Wattage

10,16:1/8W	14,25:1/4W	12:1/2W	1:1W	2:2W	3:3W
------------	------------	---------	------	------	------

*Type & Voltage Of Capacitor

Type

ECFD:Semi-Conductor ECQS:Styrol ECUV,PQCUV, ECUE:Chip ECQMS:Mica	ECCD,ECKD,ECBT,F1K,ECUV: Ceramic ECQE,ECQV,ECQG: Polyester ECEA,ECST,EEE: Electlytic ECQP: Polypropylene
---	---

Voltage

ECQ Type	ECQG ECQV Type	ECSZ Type	Others		
1H:50V 2A:100V 2E:250V 2H:500V	05:50V 1:100V 2:200V	0F:3.15V 1A:10V 1V:35V 0J:6.3V	0J :6.3V 1A :10V 1C :16V 1E,25:25V	1V :35V 50,1H:50V 1J :16V 2A :100V	

1.5.1. Base Unit

1.5.1.1. Cabinet and Electrical Parts

Safety	Ref. No.	Part No.	Part Name & Description	Remarks
	1	PNGP1133Z1	PANEL, LCD	PC-HB
	2	PNGP1134X1	PANEL, UPPER	PC-HB
	3	PNKM1181R3	CABINET BODY (for KX-TG3821JX1) (for KX-TG3822JX1)	PS-HB
	3	PNKM1181Q4	CABINET BODY (for KX-TG3821JX2) (for KX-TG3822JX2)	PS-HB
	4	L0AA04A00028	SPEAKER	
	5	PQHR11082Z	GUIDE, SPEAKER	POM-HB
	6	PNKE1089Z1	CASE, CHARGE TERMINAL (for KX-TG3821JX1) (for KX-TG3822JX1)	PS-HB

Safety	Ref. No.	Part No.	Part Name & Description	Remarks
	6	PNKE1089Z2	CASE, CHARGE TERMINAL (for KX-TG3821JX2) (for KX-TG3822JX2)	PS-HB
	7	PNJT1061Y	CHARGE TERMINAL	
	8	PNBC1346Z1	BUTTON, NAVIGATOR KEY	ABS-HB
	9	PNBC1348Z1	BUTTON, ERASE	PS-HB
	10	PNBC1347Z1	BUTTON, ANSWER ON	PS-HB
	11	PNBC1349Z1	BUTTON, STOP	PS-HB
	12	PNBC1350Z1	BUTTON, LOCATOR	PS-HB
	13	PNHR1381Z	GUIDE, BUTTON	PS-HB
	14	PNBC1345Z1	BUTTON, MESSAGE	PS-HB
	15	PNJK1101Z	KEYBOARD SWITCH, TAM	
	16	PNJK1100X	KEYBOARD SWITCH, DIAL	
	17	PNYE1038Z	SPACER, CUSHION LCD	
	18	PNLA1047Z	ANTENNA, SUB	
	19	PQMG10025W	RUBBER PARTS, MIC	
	20	PNHR1383Z	GUIDE, JACK	PS-HB
	21	K2ECYZ000001	JACK, DC	
	22	PQJJ1T039M	JACK, MODULAR	
	23	PNKF1131Z1	CABINET COVER	PS-HB
	24	PQHA10023Z	RUBBER PARTS, FOOT CUSHION	
	25	PNHR1249Z	PLASTIC PARTS	POM-HB
	26	PNKL1027Y1	STAND, WALL MOUNT	PS-HB

1.5.1.2. Main P.C. Board Parts

Note:

(*1) When replacing IC502, IC601, IC611 or X501, make the adjustment using PNZZTG3821JX.

(*2) When removing E5, use special tools (ex. Hot air disordering tool).

Safety	Ref. No.	Part No.	Part Name & Description	Remarks
		PCB1	PNWP13821JXH MAIN P.C.BOARD ASS'Y (RTL) (ICs)	
		IC302	C0DBEYY00102	IC
		IC351	C0EBE0000124	IC
		IC381	C0C6CCC00103	IC
		IC501	C1CB00003545	IC
		IC502	C3FBLY000125	IC (FLASH) (*1)
		IC601	C3FBLY000124	IC (FLASH) (*1)
		IC611	PNWIG3411BXH	IC (EEPROM) (*1)
				(TRANSISTORS)
		Q141	B1ACGP000008	TRANSISTOR (SI)
		Q142	B1ABDM000001	TRANSISTOR (SI)
		Q161	DSC7003S0L	TRANSISTOR (SI)
		Q301	B1ADGE000012	TRANSISTOR (SI)
		Q302	B1ADGE000012	TRANSISTOR (SI)
		Q351	B1ADNB000003	TRANSISTOR (SI)
		Q352	B1ABDF000017	TRANSISTOR (SI)
		Q354	DRC9113Z0L	TRANSISTOR (SI)
		Q361	B1ABDF000017	TRANSISTOR (SI)
		Q362	B1GBCFYY0020	TRANSISTOR (SI)
		Q363	B1ABDF000017	TRANSISTOR (SI)
		Q601	B1ABDF000017	TRANSISTOR (SI)
		Q602	DRC9113Z0L	TRANSISTOR (SI)
		Q701	2SA1576S	TRANSISTOR (SI)
		Q702	B1GBCFYY0020	TRANSISTOR (SI)
				(DIODES)
		D101	PQVDM5S	DIODE (SI)
		D133	1S8355	DIODE (SI)
		D142	PQVPTZT2530	DIODE (SI)
		D362	B0ECKM000008	DIODE (SI)
		D801	B0DCCD000013	DIODE (SI)
		D802	B0DCCD000013	DIODE (SI)
		D803	B0DCCD000013	DIODE (SI)

Safety	Ref. No.	Part No.	Part Name & Description	Remarks
	D804	B0DCCD000013	DIODE (SI) (COILS)	
	L101	PQLQXF330K	COIL	S
	L102	PQLQXF330K	COIL	S
	L351	PQLQR2KA113	COIL	S
	L381	PQLQR2KA113	COIL	S
	L802	G1C4N7Z00006	COIL	
	L803	G1C4N7Z00006	COIL	
	L804	G1C4N7Z00006	COIL	
	L805	G1C1N5Z00007	COIL	
	L806	G1C1N5Z00007	COIL	
	L807	PQLQR4C15NJ	COIL	S
	C850	PQLQR4C6N8J	COIL (RESISTOR ARRAYS)	S
	RA451	D1H422220001	RESISTOR ARRAY	
	RA452	D1H427220001	RESISTOR ARRAY	
	RA501	D1H422120001	RESISTOR ARRAY	
	RA651	D1H810240004	RESISTOR ARRAY	S
	RA652	D1H810240004	RESISTOR ARRAY	S
	RA653	D1H810240004	RESISTOR ARRAY (VARISTOR)	S
	SA101	J0LF00000048	VARISTOR (SURGE ABSORBER) (RESISTORS)	
	R101	PQ4R10XJ475	4.7M	S
	R102	PQ4R10XJ475	4.7M	S
	R103	PQ4R10XJ184	180k	S
	R104	PQ4R10XJ184	180k	S
	R105	PQ4R10XJ105	1M	S
	R106	PQ4R10XJ105	1M	S
	R107	ERJ2GEJ102	1k	S
	R108	ERJ2GEJ102	1k	S
	R109	ERJ2GEJ823	82k	S
	R110	ERJ2GEJ823	82k	S
	R111	ERJ2GEJ392	3.9k	S
	R112	ERJ2GEJ124	120k	S
	R121	ERJ2GEJ102	1k	S
	R122	ERJ2GEJ102	1k	S
	R123	ERJ2GEJ102	1k	S
	R125	ERJ2GEJ271	270	S
	R131	PQ4R18XJ106	10M	S
	R132	ERJ3GEYJ205	2M	S
	R133	ERJ3GEYJ184	180k	S
	R141	ERJ3GEYJ104	100k	S
	R142	PQ4R18XJ272	2.7k	S
	R145	ERJ2GEJ222	2.2k	S
	R151	ERJ2GEJ104	100k	S
	R152	ERJ2GEJ474X	470k	S
	R160	ERJ3GEYJ911	910	S
	R161	ERJ3GEYJ104	100k	S
	R162	ERJ3GEYJ273	27k	S
	R163	ERJ12YJ120	12	
	R164	ERJ3GEYJ272	2.7k	S
	R165	ERJ3GEYJ273	27k	S
	R166	ERJ3GEYJ822	8.2k	S
	R167	ERJ12YJ270	27	
	R169	ERJ2GE0R00	0	S
	R170	ERJ2GE0R00	0	S
	R178	ERJ2GEJ332	3.3k	S
	R181	ERJ2GE0R00	0	S
	R311	ERJ2GEJ103	10k	S
	R312	ERJ2GEJ103	10k	S
	R321	ERJ2RKF1400	140	
	R322	ERJ2RKF1000	100	
	R351	ERJ2GEJ392	3.9k	S
	R352	ERJ2GEJ563	56k	S
	R353	ERJ2GEJ103	10k	S
	R354	ERJ2GEJ103	10k	S
	R355	ERJ2GEJ681	680	S
	R358	ERJ2GEJ103	10k	S
	R359	ERJ2GEJ103	10k	S
	R360	ERJ2GEJ563	56k	S
	R361	PQ4R10XJ680	68	S

Safety	Ref. No.	Part No.	Part Name & Description	Remarks
	R362	PQ4R10XJ680	68	S
	R363	ERJ2GEJ222	2.2k	S
	R364	ERJ2GEJ103	10k	S
	R365	ERJ2GEJ473	47k	S
	R366	ERJ2GEJ103	10k	S
	R371	ERJ12YJ1R0	1	
	R372	ERJ12YJ1R0	1	
	R373	ERJ2GEJ182	1.8k	S
	R451	ERJ2GEJ391	390	S
	R474	ERJ2GEJ1R0	1	S
	R475	ERJ2GEJ1R0	1	S
	R501	D0GA563ZA006	56k	
	R502	ERJ2GEJ332	3.3k	S
	R504	ERJ2GEJ103	10k	S
	R505	ERJ2GEJ102	1k	S
	R506	ERJ2GEJ101	100	S
	R507	ERJ2GEJ104	100k	S
	R508	ERJ2GEJ100	10	S
	R515	ERJ2GEJ473	47k	S
	R516	ERJ2GEJ473	47k	S
	R517	ERJ2GEJ473	47k	S
	R601	ERJ2GEJ332	3.3k	S
	R602	ERJ2GEJ561	560	S
	R603	ERJ2GEJ561	560	S
	R604	ERJ2GEJ561	560	S
	R605	ERJ2GEJ473	47k	S
	R606	ERJ2GEJ103	10k	S
	R607	ERJ2GEJ103	10k	S
	R611	ERJ2GEJ103	10k	S
	R612	ERJ2GEJ332	3.3k	S
	R613	ERJ2GEJ332	3.3k	S
	R651	ERJ2GEJ122	1.2k	S
	R655	ERJ2GE0R00	0	S
	R656	ERJ2GEJ102	1k	S
	R657	ERJ2GEJ102	1k	S
	R661	ERJ2GEJ562X	5.6k	S
	R662	ERJ2GEJ562X	5.6k	S
	R665	ERJ2GEJ103	10k	S
	R668	ERJ2GEJ561	560	S
	R669	ERJ2GEJ102	1k	S
	R671	ERJ2GEJ473	47k	S
	R672	ERJ2GEJ473	47k	S
	R673	ERJ2GEJ473	47k	S
	R701	ERJ3GEYJ332	3.3k	S
	R702	ERJ2GEJ103	10k	S
	R703	ERJ2GEJ102	1k	S
	R806	ERJ2GEJ221	220	S
	R807	ERJ2GEJ221	220	S
	R891	ERJ2GEJ221	220	S
	R892	ERJ2GEJ221	220	S
	L850	ERJ3GEY0R00	0	S
			(CAPACITORS)	
	C101	ECUV2H681KB	680p	S
	C102	ECUV2H681KB	680p	S
	C103	ECUV1C103KBV	0.01	
	C104	ECUV1C103KBV	0.01	
	C105	ECUV2H681KB	680p	S
	C106	ECUV2H681KB	680p	S
	C107	ECUV1C103KBV	0.01	
	C108	ECUV1C103KBV	0.01	
	C109	ECUE1H821KBQ	820p	
	C110	ECUE1H821KBQ	820p	
	C111	ECUE1A333KBQ	0.033	
	C112	ECUE1H100DCQ	10p	
	C113	ECUE1A823KBQ	0.082	
	C123	ECUE1H100DCQ	10p	
	C124	ECUE1H100DCQ	10p	
	C125	ECUE1H100DCQ	10p	
	C132	ECUV1C105KBV	1	
	C142	ECUV1H103KBV	0.01	
	C152	ECUE1C103KBQ	0.01	
	C161	EEE1HA100SP	10	
	C167	ECUV1H102KBV	0.001	

Safety	Ref. No.	Part No.	Part Name & Description	Remarks
	C171	ECUV1C223KBV	0.022	
	C172	ECUE1H100DCQ	10p	
	C173	ECUE1A104KBQ	0.1	
	C184	ECUV1A105KBV	1	
	C186	ECUE1H100DCQ	10p	
	C301	ECUV1H101JCV	100p	
	C306	F2G1C1010034	100	
	C311	ECUV1C105KBV	1	
	C312	ECUV1C105KBV	1	
	C321	ECUV1A105KBV	1	
	C342	ECUE1A104KBQ	0.1	
	C343	ECUE1H100DCQ	10p	
	C347	F2G0J1020022	1000	
	C351	ECUV1C105KBV	1	
	C353	ECUE1H330JQC	33p	
	C381	ECUV1C105KBV	1	
	C383	ECUV1C105KBV	1	
	C451	PQCUV0J106KB	10	
	C452	ECUE1H100DCQ	10p	
	C454	ECUE1H100DCQ	10p	
	C455	ECUE1H100DCQ	10p	
	C457	ECUE1C333KBQ	0.033	
	C458	ECUE1C333KBQ	0.033	
	C459	ECUE1H102KBQ	0.001	
	C460	ECUE1H100DCQ	10p	
	C461	ECUE1H100DCQ	10p	
	C472	ECUE1H100DCQ	10p	
	C473	ECUE1H100DCQ	10p	
	C474	ECUE1H222KBQ	0.0022	
	C475	ECUE1H222KBQ	0.0022	
	C476	ECUE1H151JQC	150p	
	C477	ECUE1H100DCQ	10p	
	C478	ECUE1H100DCQ	10p	
	C479	ECUE1H151JQC	150p	
	C501	ECUE1A104KBQ	0.1	
	C502	ECUE0J105KBQ	1	
	C503	ECUE1H100DCQ	10p	
	C504	ECUE1A104KBQ	0.1	
	C505	ECUE1A104KBQ	0.1	
	C506	ECUV1A225KBV	2.2	
	C507	ECUV1A105KBV	1	
	C508	ECUV1A105KBV	1	
	C509	ECUV0J225KBV	2.2	
	C511	ECUV1A105KBV	1	
	C513	ECUE1A104KBQ	0.1	
	C514	F1G1H2R4A798	2.4p	
	C516	ECUE1A104KBQ	0.1	
	C517	ECUE1A104KBQ	0.1	
	C518	ECUE1A104KBQ	0.1	
	C519	ECUE1A104KBQ	0.1	
	C523	F1G1H100A722	10p	
	C601	ECUE1A104KBQ	0.1	
	C603	ECUE1C103KBQ	0.01	
	C611	ECUE1A104KBQ	0.1	
	C661	ECUE1A104KBQ	0.1	
	C670	ECUE1C103KBQ	0.01	
	C701	ECUE1H102KBQ	0.001	
	C805	F1G1HR8A798	1.8p	
	C806	F1G1HR8A798	1.8p	
	C809	ECUE1H100DCQ	10p	S
	C810	F1G1HR60A798	0.6p	
	C811	ECUE1H100DCQ	10p	S
	C812	ECUE1H100DCQ	10p	S
	C813	F1G1HR60A798	0.6p	
	C820	F1G1H4R7A798	4.7p	
	C822	ECUE1H100DCQ	10p	S
	C825	ECUE1H100DCQ	10p	S
	C826	F1G1H100A722	10p	
	C827	F1G1H2R0A798	2p	
	C828	F1G1H2R0A798	2p	
	C851	F1G1HR80A798	0.8p	
	C852	ECUE1H100DCQ	10p	S
	C853	ECUE1H100DCQ	10p	S

Safety	Ref. No.	Part No.	Part Name & Description	Remarks
	C855	ECUE1H100DCQ	10p	S
	C857	ECUE1H100DCQ	10p	S
	C859	ECUE1H100DCQ	10p	S
	C860	F1G1H3R3A798	3.3p	
	C861	F1G1H2R0A798	2p	
			(OTHERS)	
	E1	L5DYBYY00020	LIQUID CRYSTAL DISPLAY	
	E2	PNHX1379Z	COVER, LCD	
	E3	PNHR1384Z	TRANSPARENT PLATE, LCD	PMMA-HB
	E4	PNHR1382Z	GUIDE, LCD	ABS-HB
	E5	PNMC1033Z	CASE, MAGNETIC SHIELD (*2)	
	P101	D4DAY220A022	THERMISTOR (POSISTOR)	
	R659	J0JCC0000286	IC FILTER	
	F301	K5H302Y00003	FUSE	
	X501	H0J103500037	CRYSTAL OSCILLATOR (*1)	

1.5.1.3. Operational P.C.Board parts

Safety	Ref. No.	Part No.	Part Name & Description	Remarks
	PCB2	PNWP23821JXH	OPERATIONAL P.C.BOARD ASS'Y (RTL)	
			(LEDS)	
	LED901	LNJ237W82RA	LED	
	LED902	LNJ237W82RA	LED	
	LED904	LNJ237W82RA	LED	
			(RESISTORS)	
	R900	ERJ2GEJ221	220	S
	R901	ERJ2GEJ221	220	S
	R907	ERJ3GEYJ101	100	S
	R908	ERJ3GEYJ101	100	S
			(CAPACITORS)	
	C900	ECUE1H100DCQ	10p	
	C901	ECUE1H100DCQ	10p	
	C902	ECUE0J105KBQ	1	
	C903	ECUV1C105KBV	1	
			(OTHERS)	
	L901	J0JCC0000286	IC FILTER	
	MIC1	LOCBAY000018	MICROPHONE	

1.5.1.4. LED Board parts

Safety	Ref. No.	Part No.	Part Name & Description	Remarks
	PCB3	PNWP3TG6641H	LED P.C.BOARD ASS'Y (RTL)	
			(LED)	
	WLED	B3AFB0000370	LED	

1.5.2. Handset

1.5.2.1. Cabinet and Electrical Parts

Safety	Ref. No.	Part No.	Part Name & Description	Remarks
	101	PNGP1136Z3	PANEL, LCD	PMMA-HB
	102	PNYE1041Z	TAPE, DOUBLE SIDED	
	103	PNKM1184Z1	CABINET BODY (for KX-TGA381JX1)	ABS-HB
	103	PNKM1184Y2	CABINET BODY (for KX-TGA381JX2)	ABS-HB
	104	PNHR1390Z	OPTIC CONDUCTIVE PARTS, LED LENS	PS-HB
	105	L0AD01A00024	RECEIVER	
	106	PNYE1040Z	SPACER, CUSHION LCD	
	107	PNBC1354Z1	BUTTON, NAVIGATOR KEY	ABS-HB
	108	PNJK1104V	KEYBOARD SWITCH	
	109	PNJT1057Y	CHARGE TERMINAL (L)	
	110	PNJT1058Y	CHARGE TERMINAL (R)	
	111	PQHR11315Z	GUIDE, SPEAKER	ABS-HB

Safety	Ref. No.	Part No.	Part Name & Description	Remarks
	112	L0AA02A00095	SPEAKER	
	113	PQHS10784Y	SPACER, SPEAKER NET	
	114	PQJC10056W	BATTERY TERMINAL	
	115	PNKE1091Z1	COVER, EP CAP (for KX-TGA381JX1)	
	115	PNKE1091Z2	COVER, EP CAP (for KX-TGA381JX2)	
	116	PNKF1133Z1	CABINET COVER (for KX-TGA381JX1)	ABS-HB
	116	PNKF1133Y2	CABINET COVER (for KX-TGA381JX2)	ABS-HB
	117	PNKE1092Z1	COVER, RUBBER GRIP (for KX-TGA381JX1)	
	117	PNKE1092Z2	COVER, RUBBER GRIP (for KX-TGA381JX2)	
	118	PNHS1079Z	SPACER, BATTERY	
	119	PNKK1052Z1	LID, BATTERY (for KX-TGA381JX1)	ABS-HB
	119	PNKK1052Y2	LID, BATTERY (for KX-TGA381JX2)	ABS-HB

1.5.2.2. Main P.C. Board Parts

Note:

(*1) When replacing IC4, IC3 or X1, make the adjustment using PNZZTG3821JX.

Safety	Ref. No.	Part No.	Part Name & Description	Remarks
	PCB100	PNWPGA381JXR	MAIN P.C.BOARD ASS'Y (RTL) (ICs)	
	IC1	C1CB00003544	IC	
	IC3	PNWIGA381BXR	IC (EEPROM) (*1)	
	IC4	C3FBLY000125	IC (*1) (TRANSISTORS)	
	Q2	B1ADGE000012	TRANSISTOR (SI)	
	Q4	B1ABGE000011	TRANSISTOR (SI)	
	Q5	B1ADCF000040	TRANSISTOR (SI)	
	Q6	B1ADCF000040	TRANSISTOR (SI)	
	Q7	B1ABDF000017	TRANSISTOR (SI)	
	Q9	B1ABDF000017	TRANSISTOR (SI)	
	Q10	B1ADNB000003	TRANSISTOR (SI)	
	Q11	B1ABDF000017	TRANSISTOR (SI)	
	Q12	B1ADCF000040	TRANSISTOR (SI) (DIODES)	
	D1	B0JCMC000006	DIODE (SI)	
	D3	B0JCDD000001	DIODE (SI)	
	D13	B0BC4R3A0006	DIODE (SI)	
	D14	B0BC4R3A0006	DIODE (SI)	
	D21	B0BC4R3A0006	DIODE (SI)	
	D22	B0BC4R3A0006	DIODE (SI)	
	D801	B0DCCD000013	DIODE (SI)	
	D802	B0DCCD000013	DIODE (SI) (LEDS)	
	LED4	B3ACB0000190	LED	
	LED5	B3ACB0000190	LED	
	LED6	B3ACB0000190	LED	
	LED7	B3ACB0000190	LED	
	LED8	B3ACB0000190	LED	
	LED9	B3ACB0000190	LED	
	LED12	B3ACB0000216	LED (COILS)	
	L802	G1C4N7Z00006	COIL	
	L803	G1C4N7Z00006	COIL	
	L826	G1C4N7Z00006	COIL	
	L863	G1C1N5Z00007	COIL	
	L864	G1C1N5Z00007	COIL (RESISTOR ARRAYS)	
	RA1	D1H81024A024	RESISTOR ARRAY	
	RA4	D1H433220001	RESISTOR ARRAY	

Safety	Ref. No.	Part No.	Part Name & Description	Remarks
	RA30	D1H86814A024	RESISTOR ARRAY	
	RA31	D1H468120001	RESISTOR ARRAY	
	RA40	EXB28V103	RESISTOR ARRAY	
	RA61	D1H422120001	RESISTOR ARRAY (IC FILTERS)	
	L9	J0JCC0000287	IC FILTER	
	L46	J0JDC0000045	IC FILTER	
	L47	J0JDC0000045	IC FILTER	
	L48	J0JDC0000045	IC FILTER	
	L72	J0JCC0000276	IC FILTER	
	L308	J0JCC0000286	IC FILTER (RESISTORS)	
	R3	D0GA102JA021	1k	
	R4	PQ4R18XJ3R3	3.3	S
	R5	D0GA122JA015	1.2k	
	R6	D0GA224JA015	220k	
	R7	D0GA103JA021	10k	
	R8	ERJ2GEJ303	30k	
	R9	ERJ2GEJ303	30k	
	R10	D0GA152JA021	1.5k	
	R11	ERJ3GEYJ1R0	1	S
	R13	D0GA681JA021	680	
	R14	D0GA102JA021	1k	
	R18	ERJ2RKF1003	100k	
	R19	ERJ2RKF3302	33k	
	R20	ERJ2GEJ100	10	S
	R22	D0GA332JA015	3.3k	
	R23	D0GA102JA021	1k	
	R25	D0GA222JA021	2.2k	
	R27	D0GA821JA021	820	
	R28	D0GA821JA021	820	
	R29	D0GA102JA021	1k	
	R30	D0GA152JA021	1.5k	
	R31	D0GA103JA021	10k	
	R32	D0GA104JA021	100k	
	R34	D0GA104JA021	100k	
	R45	ERJ6RSJR10V	0.1	
	R50	D0GA103JA021	10k	
	R51	ERJ2GEYJ331	330	S
	R52	ERJ2GEYJ331	330	S
	R53	D0GA332JA015	3.3k	
	R54	D0GA103JA021	10k	
	R55	D0GA102JA021	1k	
	R63	D0GA101JA021	100	
	R64	D0GA103JA021	10k	
	R66	D0GA102JA021	1k	
	R76	D0GA1R0JA014	1	
	R77	D0GA1R0JA014	1	
	R100	D0GA104JA021	100k	
	R203	D0GA563ZA006	56k	
	R215	ERJ2GE0R00	0	S
	R306	D0GA101JA021	100	
	R806	D0GA221JA021	220	
	R807	D0GA221JA021	220	
	L74	ERJ2GEJ100	10	S
	L850	ERJ3GEY0R00	0 (CAPACITORS)	S
	C1	EEE0JA221WP	220	
	C2	EEE0JA221WP	220	
	C3	EEE0JA221WP	220	
	C5	ECUE1A104KBQ	0.1	
	C10	ECUV1A225KBV	2.2	S
	C11	ECUE1A104KBQ	0.1	
	C12	PQCUV0J106KB	10	S
	C13	ECUE1A104KBQ	0.1	
	C14	ECUE1C103KBQ	0.01	S
	C16	PQCUV0J106KB	10	S
	C19	ECUE1H102KBQ	0.001	S
	C32	ECUE1A104KBQ	0.1	
	C33	ECUE1A104KBQ	0.1	
	C34	ECUE1A104KBQ	0.1	
	C35	ECUE1A104KBQ	0.1	
	C36	ECUE1H101JCQ	100p	

Safety	Ref. No.	Part No.	Part Name & Description	Remarks
	C40	ECUE1A104KBQ	0.1	
	C43	ECUE1H100DCQ	10p	S
	C44	ECUE1A104KBQ	0.1	
	C45	ECUE1A104KBQ	0.1	
	C46	ECUE1H100DCQ	10p	S
	C47	ECUV1A105KBV	1	
	C49	ECUV1A105KBV	1	
	C50	ECUV1A105KBV	1	
	C51	ECUV1A105KBV	1	
	C52	PQCUV0J106KB	10	S
	C53	PQCUV1A225KB	2.2	S
	C54	ECUE1H100DCQ	10p	S
	C55	ECUE1H100DCQ	10p	S
	C64	ECUV1A105KBV	1	
	C70	ECUE1H181JCQ	180p	S
	C71	ECUE1H181JCQ	180p	S
	C72	ECUE1H820JCQ	82p	S
	C73	ECUE1H820JCQ	82p	S
	C76	ECUE1H222KBQ	0.0022	S
	C77	ECUE1H222KBQ	0.0022	S
	C78	ECUE1H100DCQ	10p	S
	C79	ECUE1H100DCQ	10p	S
	C82	ECUE1H471KBQ	470p	S
	C83	ECUE1H100DCQ	10p	S
	C86	PQCUV0J106KB	10	S
	C96	ECUE1H100DCQ	10p	S
	C97	ECUE1H100DCQ	10p	S
	C103	ECUE1H101JCQ	100p	
	C104	ECUE1H100DCQ	10p	S
	C105	ECUE1H101JCQ	100p	
	C110	ECUE1H102KBQ	0.001	S
	C113	ECUE1H100DCQ	10p	S
	C127	ECUE1H102KBQ	0.001	S
	C172	ECUE1A104KBQ	0.1	
	C174	ECUV1C105KBV	1	
	C175	ECUV1C105KBV	1	
	C184	ECUE1H100DCQ	10p	S
	C185	ECUE1H102KBQ	0.001	S
	C188	ECUE0J105KBQ	1	
	C189	ECUE0J105KBQ	1	
	C340	ECUE1H100DCQ	10p	S
	C343	ECUE1A104KBQ	0.1	
	C344	ECUE1A104KBQ	0.1	
	C345	ECUE1H100DCQ	10p	S
	C580	ECUE1H100DCQ	10p	S
	C701	ECUV1A105KBV	1	
	C702	ECUE1H100DCQ	10p	S
	C704	ECUE1A104KBQ	0.1	
	C805	F1G1H1R8A798	1.8p	
	C806	F1G1H1R8A798	1.8p	
	C809	F1G1H100A722	10p	
	C810	F1G1HR60A798	0.6p	
	C811	F1G1H100A722	10p	
	C812	F1G1H1R6A798	1.6p	
	C813	F1G1HR60A798	0.6p	
	C814	F1G1H100A722	10p	
	C820	F1G1H3R9A798	3.9p	
	C822	F1G1H100A722	10p	
	C825	F1G1H100A722	10p	
	C826	F1G1H100A722	10p	
	C827	F1G1H1R8A798	1.8p	
	C838	F1G1H100A722	10p	
	C850	F1G1H3R0A798	3p	
	C851	F1G1H2R0A798	2p	
	C865	ECUE1H100DCQ	10p	S
	C866	ECUV1A105KBV	1	
		(OTHERS)		
	MIC100	L0CBAY000053	MICROPHONE	
	E101	L5DYBYY00001	LIQUID CRYSTAL DISPLAY	
	E102	PNHR1295Z	TRANSPARENT PLATE, LCD	PMMA-HB
	E103	PNHR1389Z	GUIDE, LCD	ABS-HB
	E104	PNHX1407Z	COVER, LCD	

Safety	Ref. No.	Part No.	Part Name & Description	Remarks
	E105	PQHG10729Z	RUBBER PARTS, RECEIVER	
	E106	PNMC1032Z	CASE, MAGNETIC SHIELD	
	E107	PNVE1002Z	BATTERY TERMINAL	ABS-HB
	CN4	K2HD103D0001	JACK	
△	F1	K5H252Y00002	FUSE	
	X1	H0J103500039	CRYSTAL OSCILLATOR (*1)	

1.5.2.3. LED Board parts

Safety	Ref. No.	Part No.	Part Name & Description	Remarks
	PCB101	PNWP2TGA660R	LED P.C.BOARD ASS'Y (RTL)	
			(LED)	
	WLED	B3AFB0000370	LED	

1.5.3. Charger Unit

1.5.3.1. Cabinet and Electrical Parts

Safety	Ref. No.	Part No.	Part Name & Description	Remarks
	200	PNLC1033ZB	CHARGER UNIT ASS'Y without NAME PLATE (RTL) (for KX-TG3822JX1)	
	200	PNLC1033ZM	CHARGER UNIT ASS'Y without NAME PLATE (RTL) (for KX-TG3822JX2)	
	200-1	PNKM1201Z1	CABINET BODY (for KX-TG3822JX1)	PS-HB
	200-1	PNKM1201Y2	CABINET BODY (for KX-TG3822JX2)	PS-HB
	200-2	PNJT1112Z	CHARGE TERMINAL	
	200-3	PNKF1147Z1	CABINET COVER	PS-HB
	200-4	PQHA10023Z	RUBBER PARTS, FOOT CUSHION	

1.5.3.2. Main P.C. Board Parts

Safety	Ref. No.	Part No.	Part Name & Description	Remarks
	PCB200	PNWPTGA660CH	MAIN P.C.BOARD ASS'Y (RTL)	
			(JACK)	
	J1	K2ECYB000001	JACK	S
			(RESISTOR)	
	R1	ERX2SJ6R8	6.8	
			(FUSE)	
△	F1	K5H302Y00003	FUSE	

1.5.4. Accessories

Changed

Note:

(*1) You can download and refer to the Operating Instructions (Instruction book) on TSN Server.

Safety	Ref. No.	Part No.	Part Name & Description	Remarks
△	A1	PNLV226EZ	AC ADAPTOR	
	A2	PQJA10075Z	CORD, TELEPHONE	
	A3	PNKE1098Z1	HANGER, BELT CLIP (for KX-TG3821JX1) (for KX-TG3822JX1)	ABS-HB
	A3	PNKE1098Z2	HANGER, BELT CLIP (for KX-TG3821JX2) (for KX-TG3822JX2)	ABS-HB

1.5.5. Screws

Safety	Ref. No.	Part No.	Part Name & Description	Remarks
	A	XTB26+8GFJ	TAPPING SCREW	
	B	XTB2+8GFJ	TAPPING SCREW	

1.5.6. Fixtures and Tools

Safety	Ref. No.	Part No.	Part Name & Description	Remarks
		PQZZ1CD300E	JIG CABLE	
		PNZZTG3821JX	BATCH FILE CD-ROM	
		PQZZ430PIR	TIP OF SOLDERING IRON	
		PQZZ430PRB	RUBBER OF SOLDERING IRON	

T.I
 KXTG3821JX1
 KXTG3821JX2
 KXTG3822JX1
 KXTG3822JX2
 KXTGA381JX1
 KXTGA381JX2