

Service Manual

WIDE LCD TV



TX-26LX75Y-IRAN

LH60 Chassis

Specifications

Power Source :	AC SINGLE 220V, 50 Hz
Power Consumption	
Average Use	122W
Standby condition	0.9W
Display panel	
Aspect Ratio	16:9
Visible screen size	576 mm (W) × 324 mm (H)
(No. of pixels)	1,049,088 (1,366 (W) × 768 (H))
Sound	
Speaker	12 cm x 6 cm × 2 pcs, 4 Ω
Audio Output	20 W (10 W + 10 W), 10% THD
Headphones	M3 (3.5 mm) Jack × 1

Receiving System / Band name

17 System	Function
1. PAL B,G,H 2. PAL I 3. PAL D,K 4. SECAM B, G 5. SECAM D, K 6. SECAM K 1 7. NTSC M NTSC3.58/4.5MHZ	Reception of broadcast transmissions and Playback from Video Cassette Tape Recorders
8. NTSC 4.43/5.5 MHZ 9. NTSC 4.43/6.0 MHZ 10. NTSC 4.43/6.5 MHZ 11. NTSC 3.58/5.5 MHZ 12. NTSC 3.58/6.0 MHZ 13. NTSC 3.58/6.5 MHZ 14. SECAM I	Playback from Special VCR's or DVD
15. PAL 60 Hz/5.5 MHz 16. PAL 60 Hz/6.0 MHz 17. PAL 60 Hz/6.5 MHz	Playback from Special Disc Players and Special VCR's or DVD

Aerial - Rear

VHF / UHF

Operation Conditions

Temperature : 0 °C - 40 °C

Humidity : 20% -- 80% RH (non-condensing)

Connection Terminals :

AV1	AUDIO L-R	RCA PIN Type × 2	0.5 V[rms]
Input	VIDEO	RCA PIN Type × 1	1.0 V[p-p] (75Ω)
	S VIDEO	Mini DIN 4-pin	Y: 1.0 V[p-p] (75Ω) C: 0.286 V[p-p] (75Ω)
AV2	AUDIO L-R	RCA PIN Type × 2	0.5 V[rms]
Input	VIDEO	RCA PIN Type × 1	1.0 V[p-p] (75Ω)
	COMPONENT	Y	1.0 V[p-p] (including synchronization)
		PB / CB , PR / CR	±0.35 V[p-p]
AV3	AUDIO L-R	RCA PIN Type × 2	0.5 V[rms]
Input	VIDEO	RCA PIN Type × 1	1.0 V[p-p] (75Ω)
	S VIDEO	Mini DIN 4-pin	Y: 1.0 V[p-p] (75Ω) C: 0.286 V[p-p] (75Ω)
Others	HDMI 1/2 Input	TYPE A Connectors	
	Audio for HDMI 1 Input	RCA PIN Type × 2	0.5 V[rms]
Monitor	AUDIO L-R	RCA PIN Type × 2	0.5 V[rms] (high impedance)
Output	VIDEO	RCA PIN Type × 1	1.0 V[p-p] (75Ω)

Dimensions (W × H × D)

657 mm × 525 mm × 239 mm (With TV Stand) (26 inch)

657 mm × 473 mm × 127 mm (TV only) (26 inch)

Weight

14 kg Net

Notes:

Design and Specifications are subject to change without notice. Weight and Dimensions shown are approximate.

 **WARNING**

This service information is designed for experienced repair technicians only and is not designed for use by the general public. It does not contain warnings or cautions to advise non-technical individuals of potential dangers in attempting to service a product. Products powered by electricity should be serviced or repaired only by experienced professional technicians. Any attempt to service or repair the product or products dealt with in this service information by anyone else could result in serious injury or death.

CONTENTS

	Page		Page
1 Safety Precautions	4	8.3. Self Check Mode	17
1.1. General Guidelines	4	8.4. Hotel Mode Adjustment	17
1.2. Touch-Current Check	4	9 Adjustment	19
2 Prevention of Electro Static Discharge (ESD) to Electrostatically Sensitive (ES) Devices	5	9.1. Voltage chart of A Board	19
3 About lead free solder (PbF)	6	9.2. Voltage chart of AP Board	19
4 Self Check Function	7	9.3. DVCO adjustment	20
4.1. Self Check	7	10 Conductor Views	21
4.2. Power LED Blinking timing chart	7	10.1. A-Board	21
5 Chassis Board Layout	9	10.2. A-Board	22
6 Location of Lead Wiring	10	11 Schematic Diagram	23
6.1. Wire Dressing	10	11.1. Schematic Diagram Notes	23
7 Disassembly for Service	11	11.2. A Board	24
7.1. AC CODE INSTALLATION	11	11.3. AP Board	34
7.2. LCD MTG INSTALLATION	12	11.4. V Board	38
7.3. Installation Pedestal	13	11.5. G Board	40
7.4. EMI	14	11.6. P Board	42
7.5. REAR FIXING MTG (L/R) INSTALLATION	15	12 Parts Location & Mechanical Replacement Parts List	44
7.6. LCD PANEL ASSY INSTALLATION	16	12.1. Parts Location	44
8 Service Mode Adjustment	17	13 Packing Exploded View	45
8.1. SERVICE 1	17	14 Electrical Replacement Parts List	46
8.2. SERVICE 2	17	14.1. Electrical Replacement Parts List	47

1 Safety Precautions

1.1. General Guidelines

1. When servicing, observe the original lead dress. If a short circuit is found, replace all parts which have been overheated or damaged by the short circuit.
2. After servicing, see to it that all the protective devices such as insulation barriers, insulation papers shields are properly installed.
3. After servicing, make the following leakage current checks to prevent the customer from being exposed to shock hazards.

1.2. Touch-Current Check

1. Plug the AC cord directly into the AC outlet. Do not use an isolation transformer for this check.
2. Connect a measuring network for touch currents between each exposed metallic part on the set and a good earth ground such as a water pipe, as shown in Figure 1.
3. Use Leakage Current Tester (Simpson 228 or equivalent) to measure the potential across the measuring network.
4. Check each exposed metallic part, and measure the voltage at each point.
5. Check each exposed metallic part, and measure the voltage at each point.
6. The potential at any point (TOUGH CURRENT) expressed as voltage U_1 and U_2 , does not exceed the following values:
 - For a. c.: $U_1 = 35 \text{ V (peak)}$ and $U_2 = 0.35 \text{ V (peak)}$;
 - For d. c.: $U_1 = 1.0 \text{ V}$,

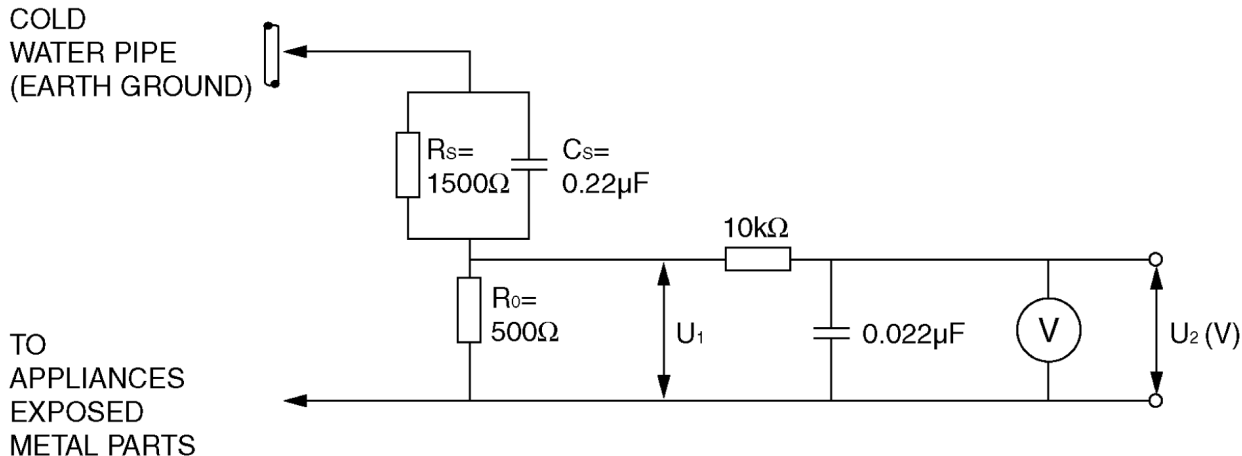
NOTE :

The limit value of $U_2 = 0.35 \text{ V (peak)}$ for a. c. and $U_1 = 1.0 \text{ V}$ for d. c. correspond to the values 0.7 mA (peak) a. c. and 2.0 mA d. c.

The limit value $U_1 = 35 \text{ V (peak)}$ for a. c. correspond to the value 70 mA (peak) a. c. for frequencies greater than 100 kHz .

7. In case a measurement is out of the limits specified, there is a possibility of a shock hazard, and the equipment should be repaired and rechecked before it is returned to the customer.

Measuring network for TOUCH CURRENTS



Resistance values in ohms (Ω)

V: Voltmeter or oscilloscope
(r.m.s. or peak reading)

Input resistance: $\geq 1 \text{ M}\Omega$

Input capacitance: $\leq 200 \text{ pF}$

Frequency range: 15 Hz to 1 MHz and d.c. respectively

NOTE - Appropriate measures should be taken to obtain the correct value in case of non-sinusoidal waveforms.

Figure 1

2 Prevention of Electro Static Discharge (ESD) to Electrostatically Sensitive (ES) Devices

Some semiconductor (solid state) devices can be damaged easily by static electricity. Such components commonly are called Electrostatically Sensitive (ES) Devices. Examples of typical ES devices are integrated circuits and some field-effect transistors and semiconductor "chip" components. The following techniques should be used to help reduce the incidence of component damage caused by electro static discharge (ESD).

1. Immediately before handling any semiconductor component or semiconductor-equipped assembly, drain off any ESD on your body by touching a known earth ground. Alternatively, obtain and wear a commercially available discharging ESD wrist strap, which should be removed for potential shock reasons prior to applying power to the unit under test.
2. After removing an electrical assembly equipped with ES devices, place the assembly on a conductive surface such as aluminum foil, to prevent electrostatic charge buildup or exposure of the assembly.
3. Use only a grounded-tip soldering iron to solder or unsolder ES devices.
4. Use only an anti-static solder removal device. Some solder removal devices not classified as "anti-static (ESD protected)" can generate electrical charge sufficient to damage ES devices.
5. Do not use freon-propelled chemicals. These can generate electrical charges sufficient to damage ES devices.
6. Do not remove a replacement ES device from its protective package until immediately before you are ready to install it. (Most replacement ES devices are packaged with leads electrically shorted together by conductive foam, aluminum foil or comparable conductive material).
7. Immediately before removing the protective material from the leads of a replacement ES device, touch the protective material to the chassis or circuit assembly into which the device will be installed.

Caution

Be sure no power is applied to the chassis or circuit, and observe all other safety precautions.

8. Minimize bodily motions when handling unpackaged replacement ES devices. (Otherwise harmless motion such as the brushing together of your clothes fabric or the lifting of your foot from a carpeted floor can generate static electricity (ESD) sufficient to damage an ES device).

IMPORTANT SAFETY NOTICE

There are special components used in this equipment which are important for safety. These parts are marked by Δ in the schematic diagrams, Exploded Views and replacement parts list. It is essential that these critical parts should be replaced with manufacturer's specified parts to prevent shock, fire, or other hazards. Do not modify the original design without permission of manufacturer.

3 About lead free solder (PbF)

Note: Lead is listed as (Pb) in the periodic table of elements.

In the information below, Pb will refer to Lead solder, and PbF will refer to Lead Free Solder.

The Lead Free Solder used in our manufacturing process and discussed below is (Sn+Ag+Cu).

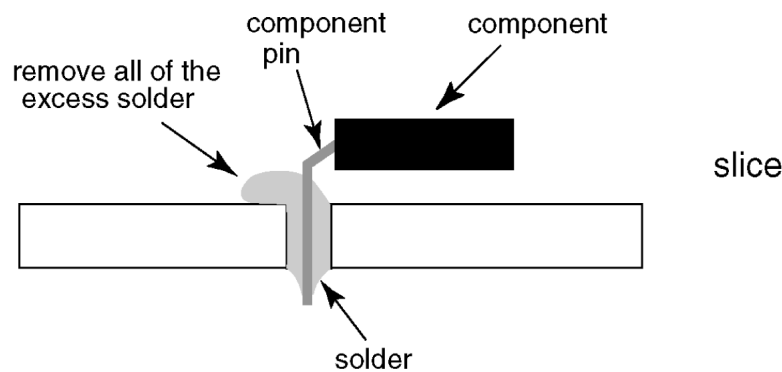
That is Tin (Sn), Silver (Ag) and Copper (Cu) although other types are available.

This model uses Pb Free solder in it's manufacture due to environmental conservation issues. For service and repair work, we'd suggest the use of Pb free solder as well, although Pb solder may be used.

PCBs manufactured using lead free solder will have the PbF within a leaf Symbol PbF stamped on the back of PCB..

Caution

- Pb free solder has a higher melting point than standard solder. Typically the melting point is 50 ~ 70 °F (30~40°C) higher. Please use a high temperature soldering iron and set it to 700 20 °F (370 10 °C).
- Pb free solder will tend to splash when heated too high (about 1100 °F or 600 °C).
If you must use Pb solder, please completely remove all of the Pb free solder on the pins or solder area before applying Pb solder. If this is not practical, be sure to heat the Pb free solder until it melts, before applying Pb solder.
- After applying PbF solder to double layered boards, please check the component side for excess solder which may flow onto the opposite side. (see figure below)



Suggested Pb free solder

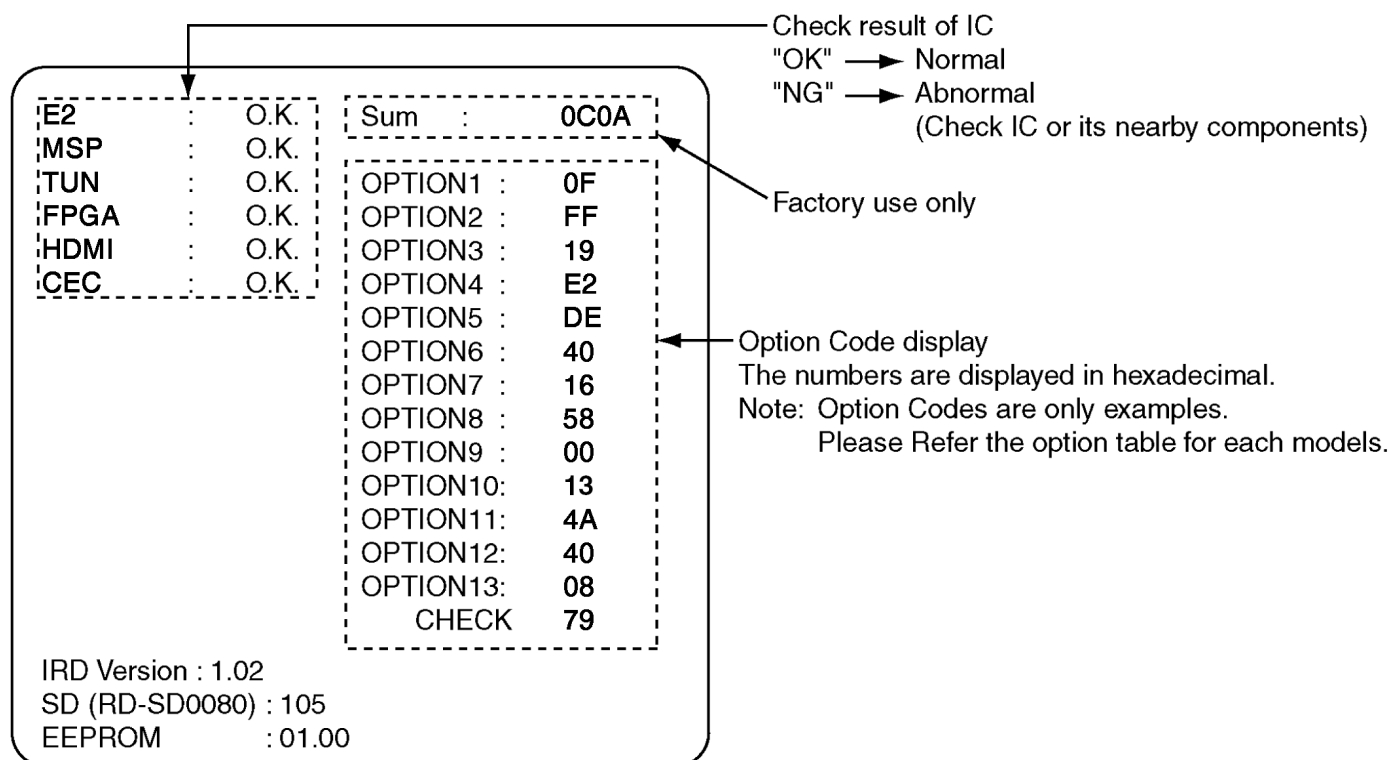
There are several kinds of Pb free solder available for purchase. This product uses Sn+Ag+Cu (tin, silver, copper) solder. However, Sn+Cu (tin, copper), Sn+Zn+Bi (tin, zinc, bismuth) solder can also be used.

0.3mm X 100g	0.6mm X 100g	1.0mm X 100g

4 Self Check Function

4.1. Self Check

1. Self-Check is used to automatically check the bus lines and hexadecimal code of the TV set.
2. To get into the Self -Check mode press the Down button on the customer controls at the front of the set, at the same time pressing the MENU button on the remote control, and the screen will show :
3. Turn off the TV to reset JPEG Viewer mode after SELF-CHECK.



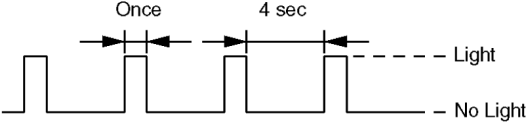



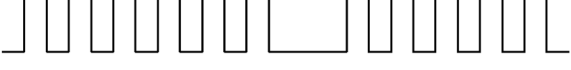

4.2. Power LED Blinking timing chart

1. Subject

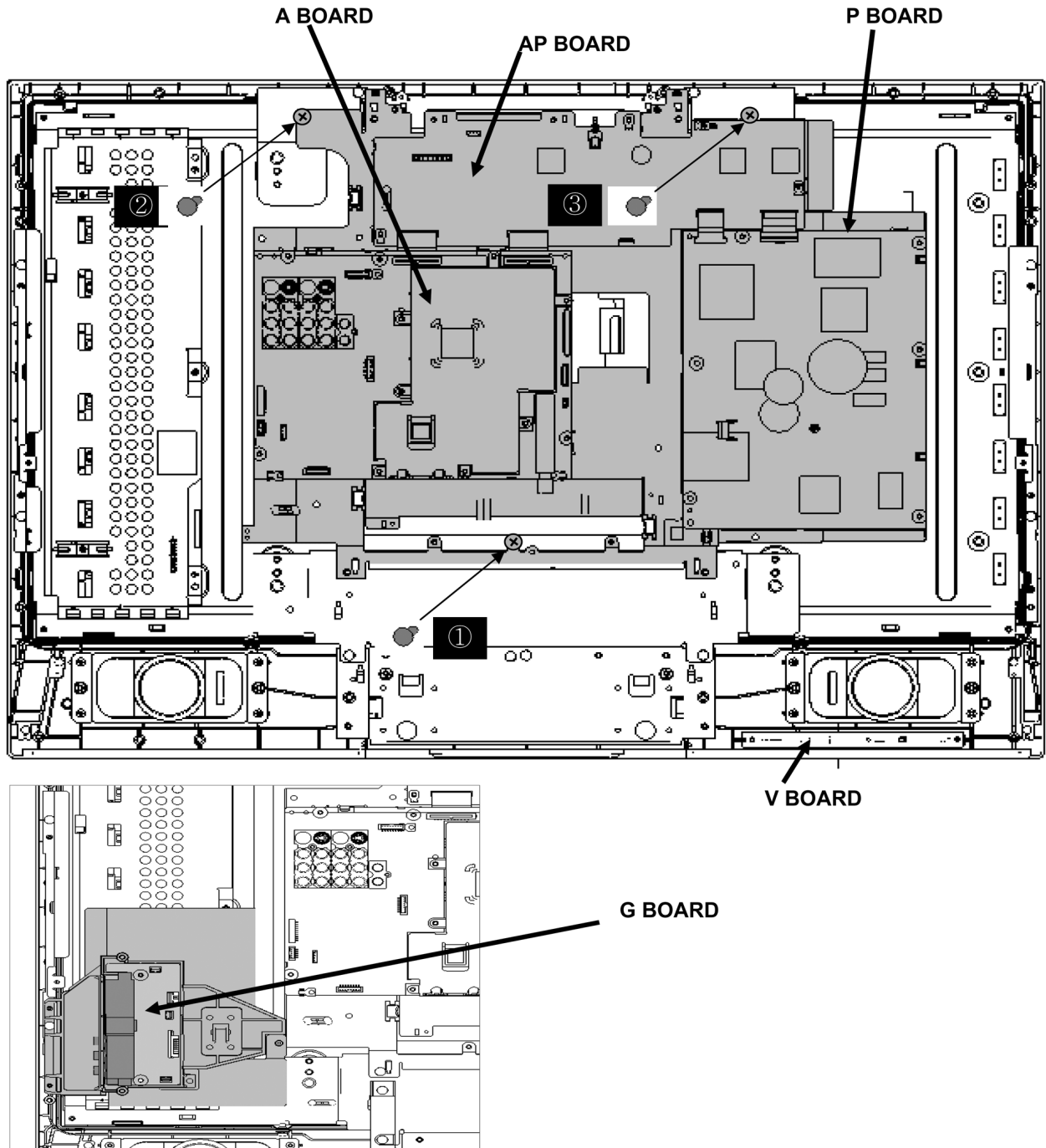
Information of LED Flashing timing chart.

2. Contents

When an abnormality has occurred the unit, the protection circuit operates and reset to the stand by mode. At this time, the defective block can be identified by the number of blinking of the Power LED on the front panel of the unit.

Blinking times	Blinking timing	Contents	Check point
1		Inverter SOS (24V line Invertor in LCD panel)	POWER UNIT LCD PANEL
3		SOS BT 30V/ SOUND 18V/ PANEL 12V	AP-BOARD H-BOARD
4		Sub 9V	AP-BOARD
5		Sub 5V	AP-BOARD
6		Main 9V	AP-BOARD
8		Main 3.3V	AP-BOARD

5 Chassis Board Layout



Board Name	Function
A-Board	Main (AV connector, AV Switch, Tuner, Audio & Video Processor, MCU, LCD Driver, LVDS)
V-Board	Remote Receiver, LED, B.A.T.S.
G-Board	AV3, Headphone jack
AP-Board	Power Supply, Power Regulator
Power Unit	Power (AC/DC) None serviceable. Power Unit should be exchanged for service.
Control Panel Unit	None serviceable. Control Panel Unit should be exchanged for service.

6 Location of Lead Wiring

6.1. Wire Dressing

Ensure this wire not too much moving, to prevent it touch the heat sink and the rear fixing MTG R .

AP5

A5

Rear fixing MTG R

10mm

Wrap felt at around led wire and speaker wire.

Heat sink

Refrent line

FELT TMK4G232

FEREITE CORE

V1-A7 wire

Add 1 turn at core with the speaker wire

FELT - TMK4G227

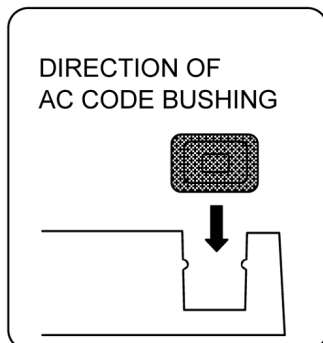
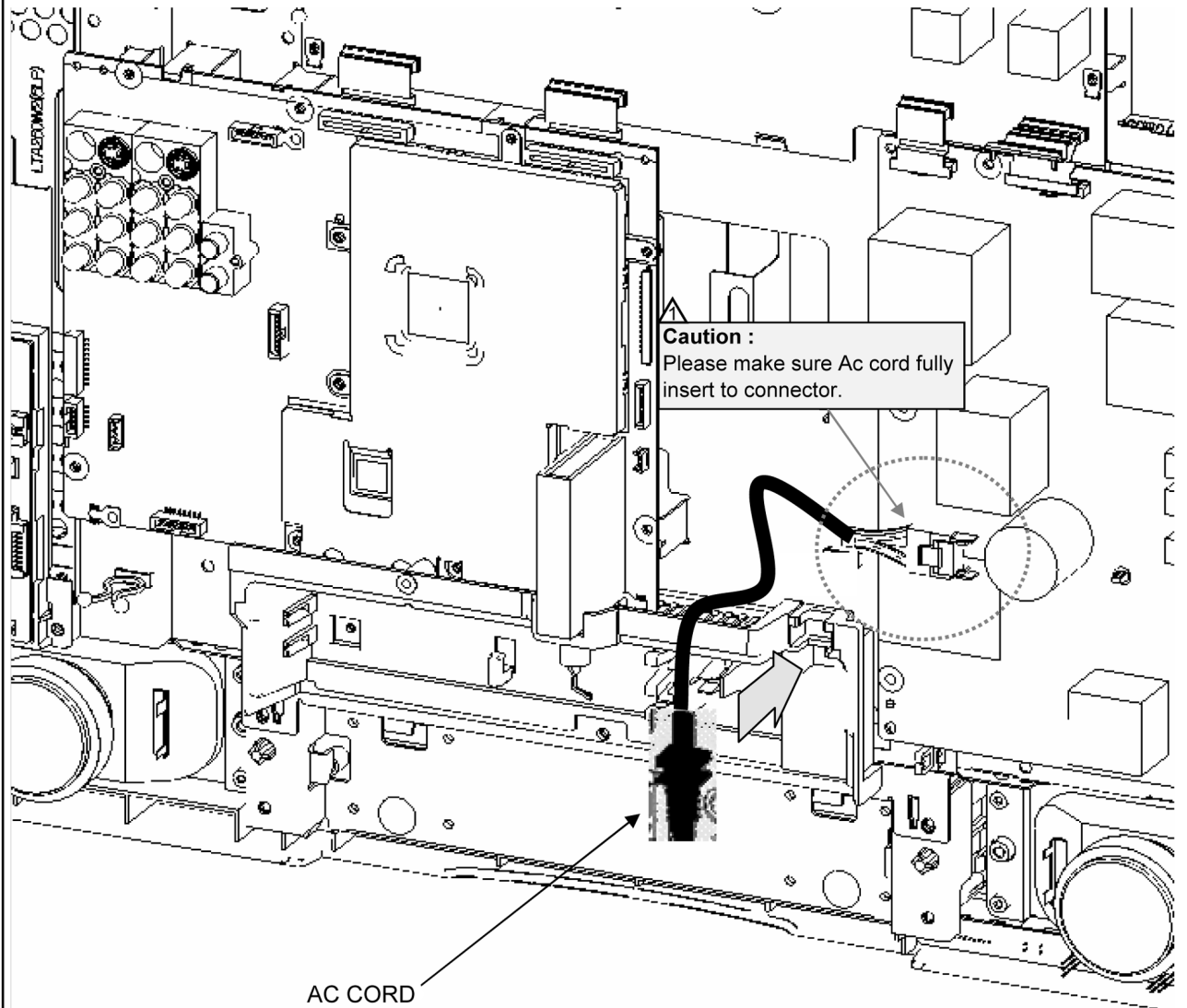
	①	②	③	④	⑤	⑥	⑦
INV-AP5	●	●					
V1-A7			●	●	●	●	●
SP(R)-A3							●
SP(L)-A7			●	●	●	●	●
G1-A4							
G1-A5							

The FEREITE CORE and the V wire are banded together with the FELT.

7 Disassembly for Service

7.1. AC CODE INSTALLATION

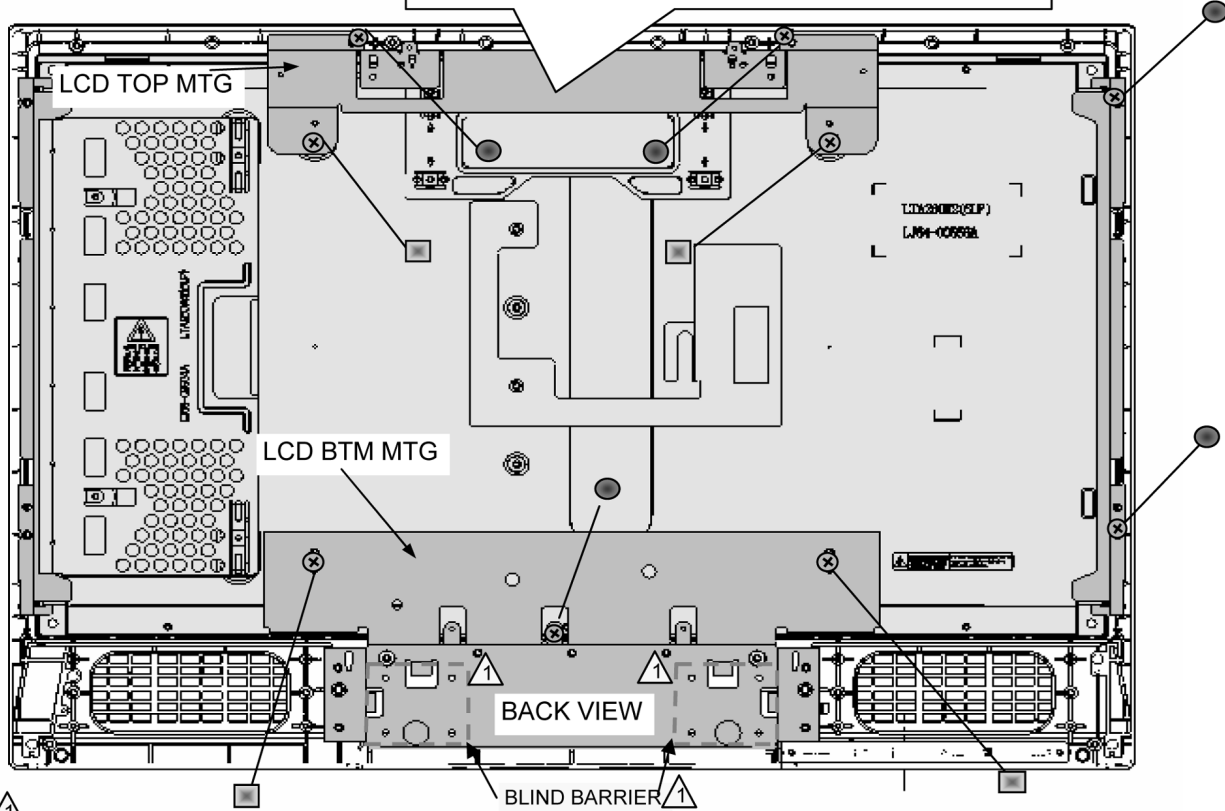
1. INSERT THE BUSHING OF AC CORD TO TUNER COVER ASSEMBLY.



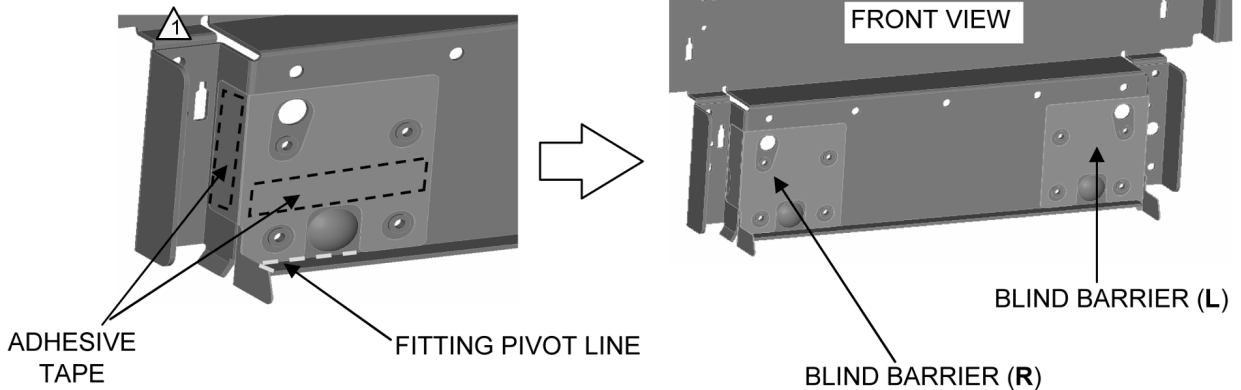
7.2. LCD MTG INSTALLATION

1. PUT LCD MTG(TOP AND BOTTOM) TO LCD PANEL WITH FOUR(4) SCREWS.
TIGHTEN TORQUE SHOULD BE 10 KgfcM TO 15 KgfcM.(XYN4+F6FJ)
2. PUT LCD MTG(TOP AND BOTTOM AND SIDE) TO CABINET ASSEMBLY WITH SEVEN(5) SCREWS.
TIGHTEN TORQUE SHOULD BE 10 KgfcM TO 12 KgfcM.(XTB4+12JFJ)

LCD TOP MTG SHOULD BE FIXED TO LCD PANEL BEFORE YOU PUT LCD PANEL ON THE CABINET. BECAUSE TO PREVENT TO TEAR THE GASKET WHICH IS STICKING ON THE TOP OF THE LCD PANEL.



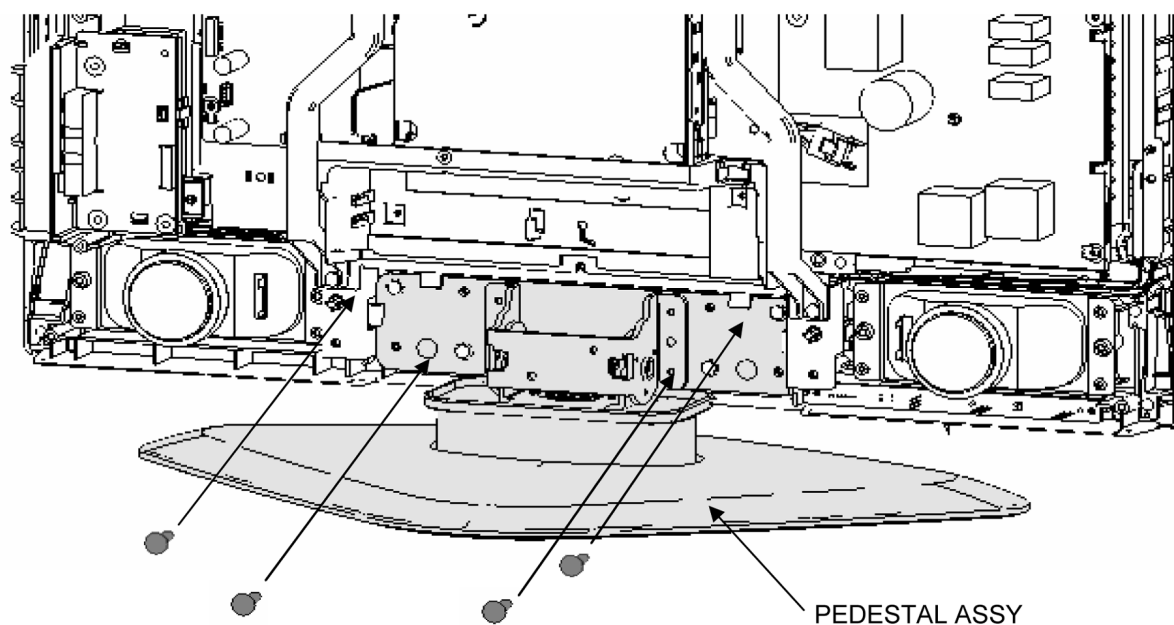
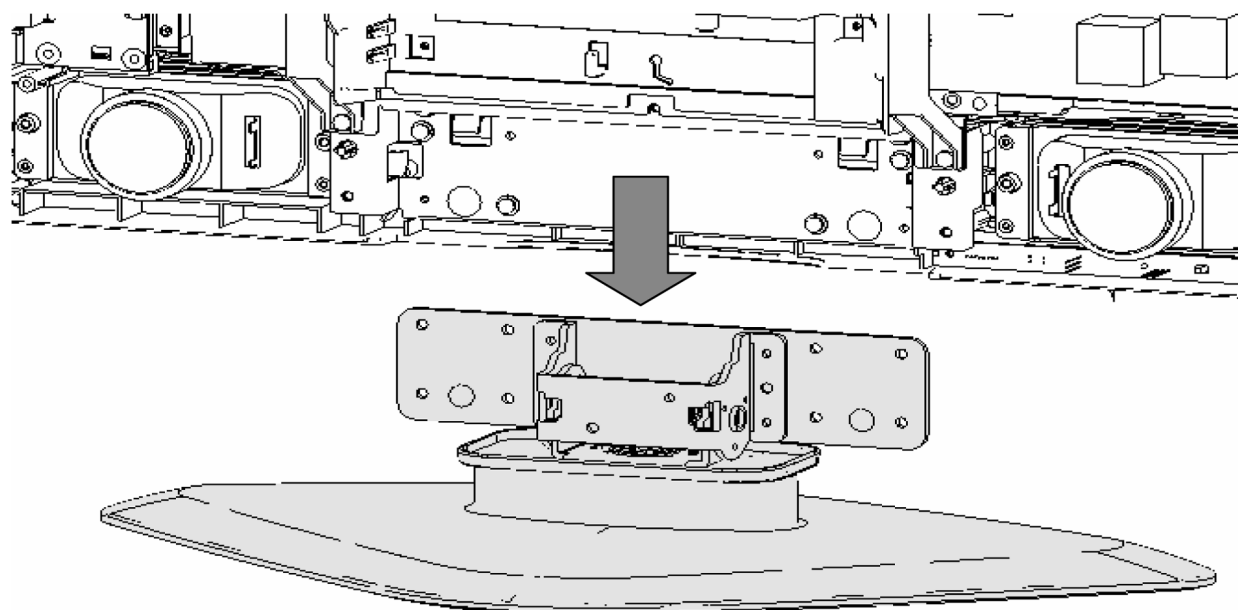
3. STICK BLIND BARRIER L & R AT BOTTOM MTG FIRST BEFORE FIX BOTTOM MTG TO LCD PANEL



- = SCREW - XYN4+F6FJ (4 Pcs)
- = SCREW - XTB4+12JFJ (5 Pcs)

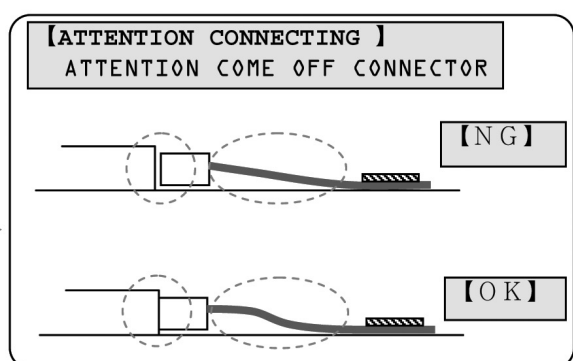
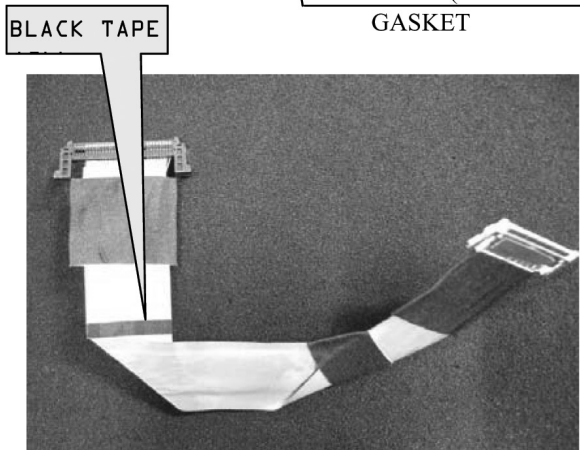
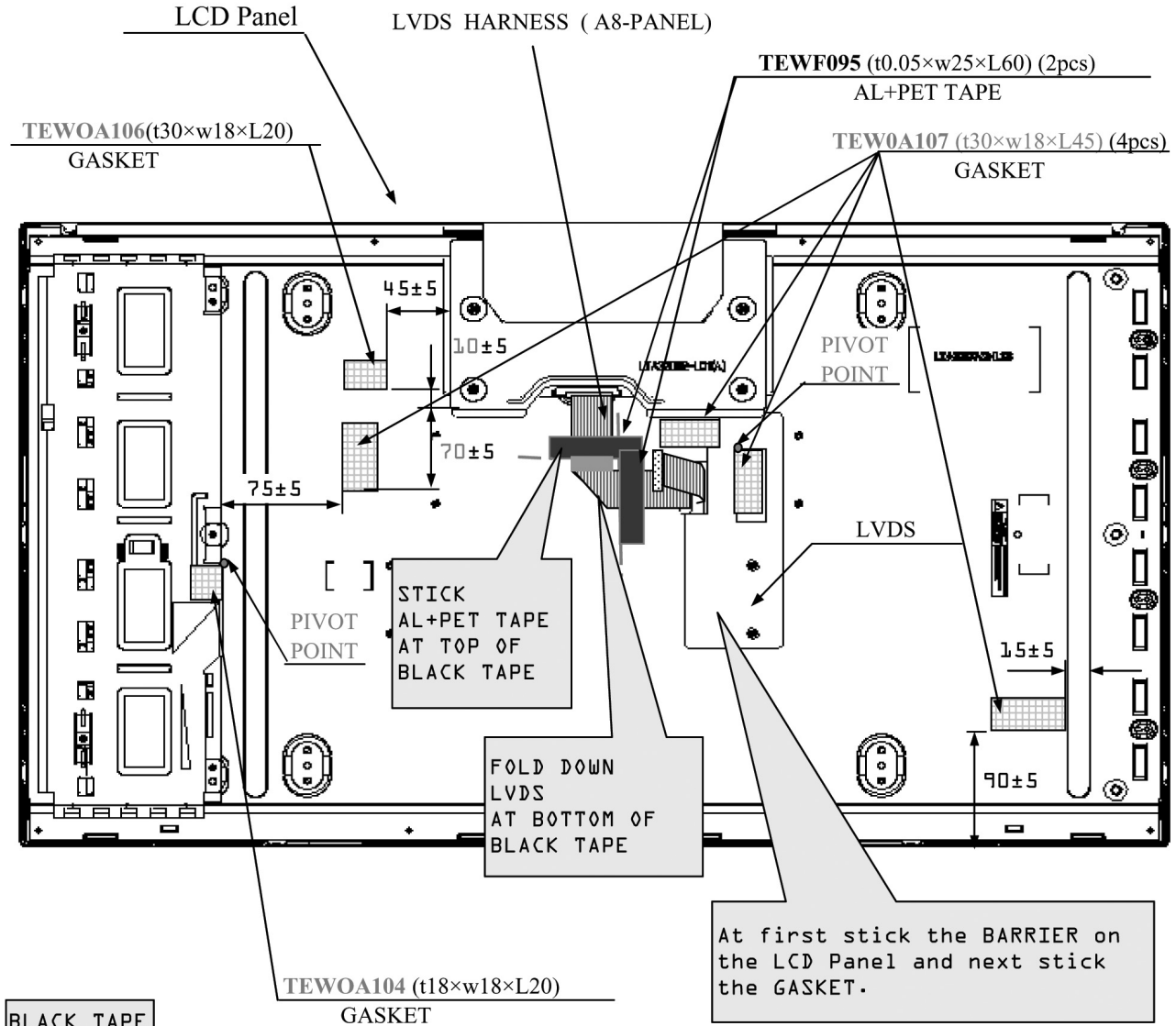
7.3. Installation Pedestal

1. FIX PEDESTAL ASSEMBLY TO SET WITH FOUR(4) SCREWS.
TIGHTEN TORQUE SHOULD BE 10 KgfcM TO 15 KgfcM.



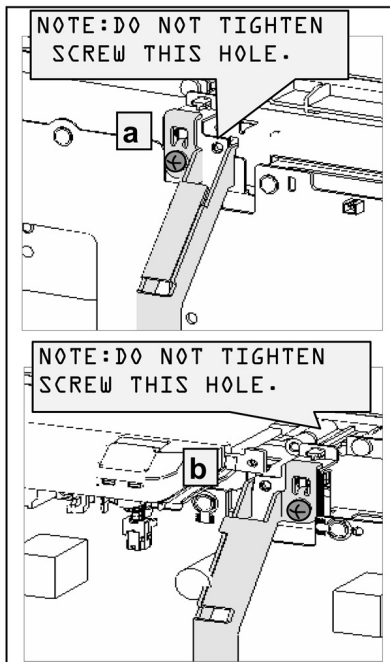
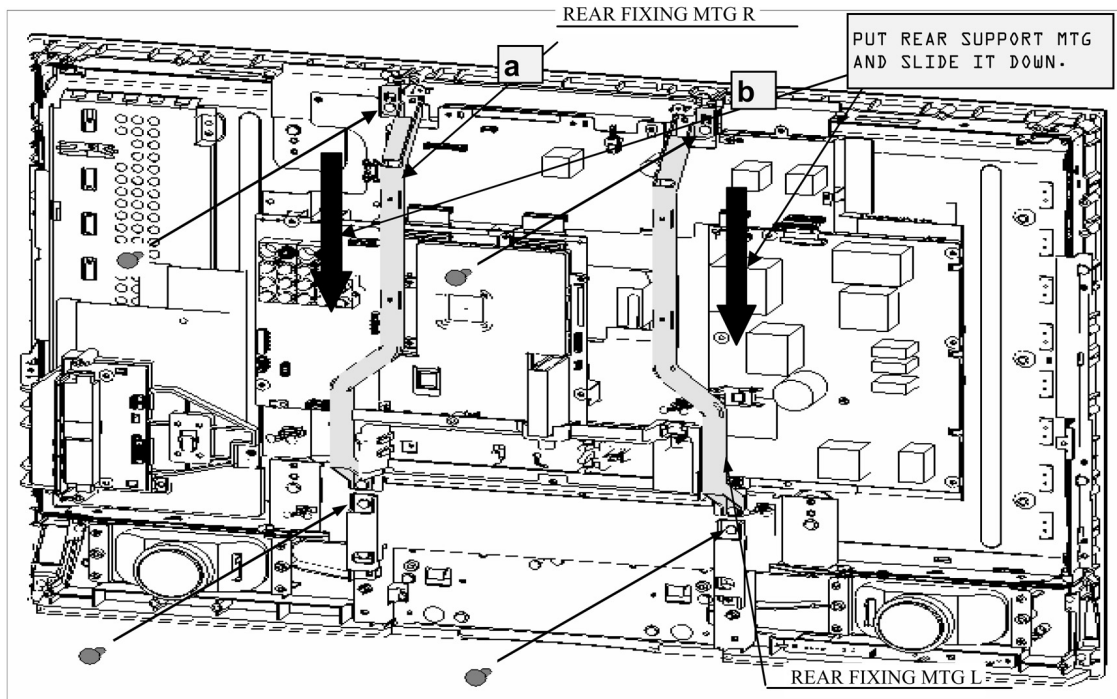
● = SCREW - XYN4+F10FJ (4 Pcs)

7.4. EMI

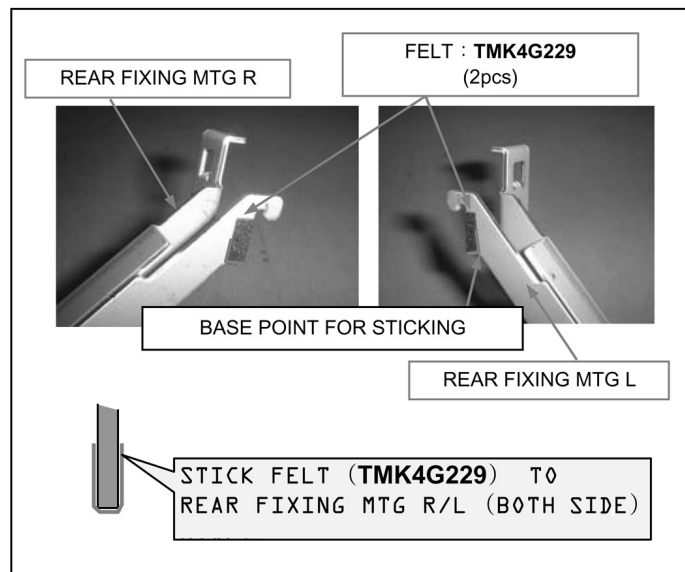


7.5. REAR FIXING MTG (L/R) INSTALLATION

1. FIX REAR FIXING MTG(R/L) TO SET WITH FOUR SCREWS.
TIGHTEN TORQUE SHOULD BE 10 TO 12 kgfcm.

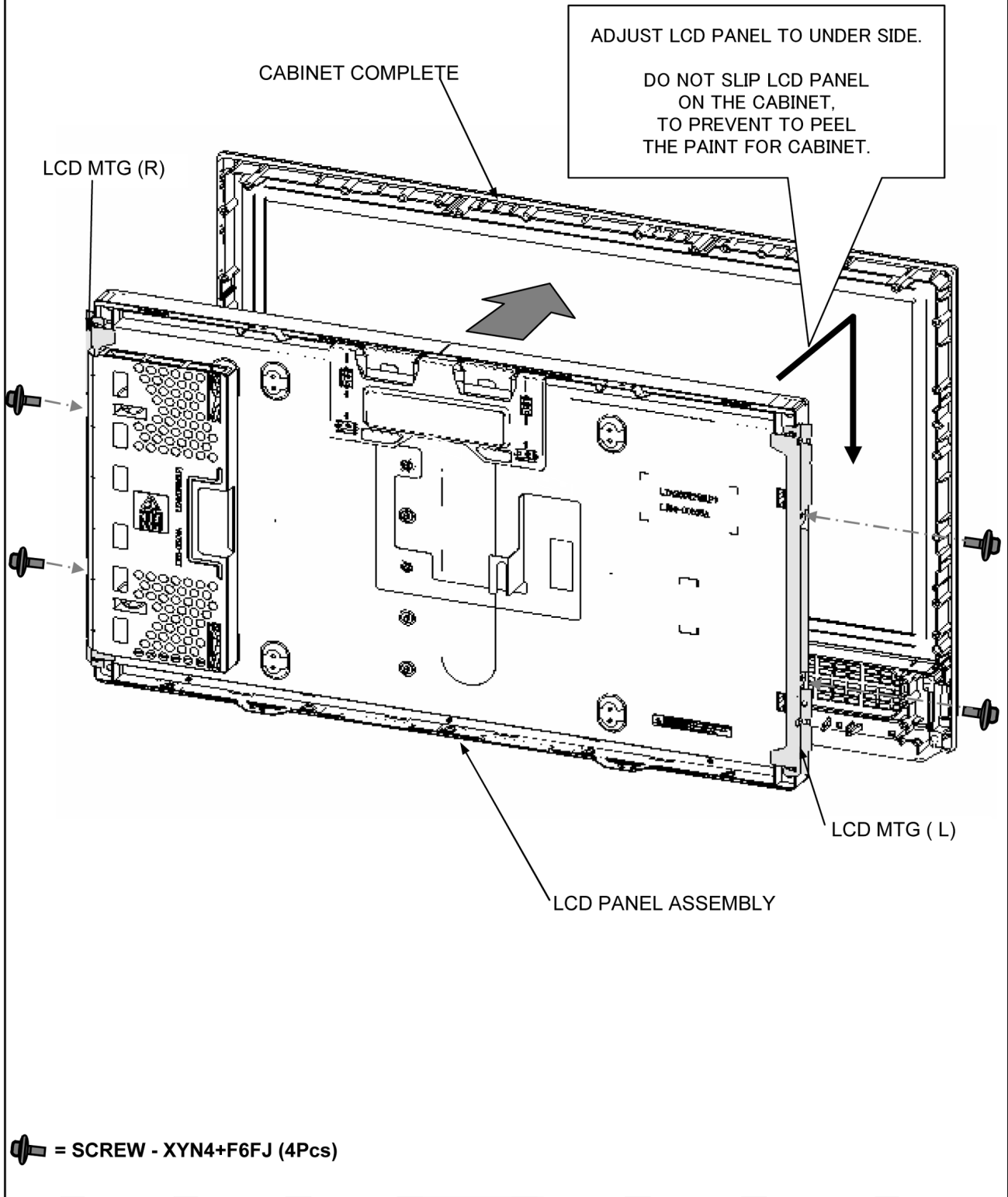


● XTB4+12JFJ (4pcs)
SCREW



7.6. LCD PANEL ASSY INSTALLATION

- 1.PUT LCD MTG R/L TO LCD PANEL COMP WITH FOUR(4) SCREWS.
TIGHTEN TORQU SHOULD BE 10 KgfcM TO 15 KgfcM
- 2.PUT LCD PANEL COMP WITH LCD MTG R/L TO CABINET COMP.

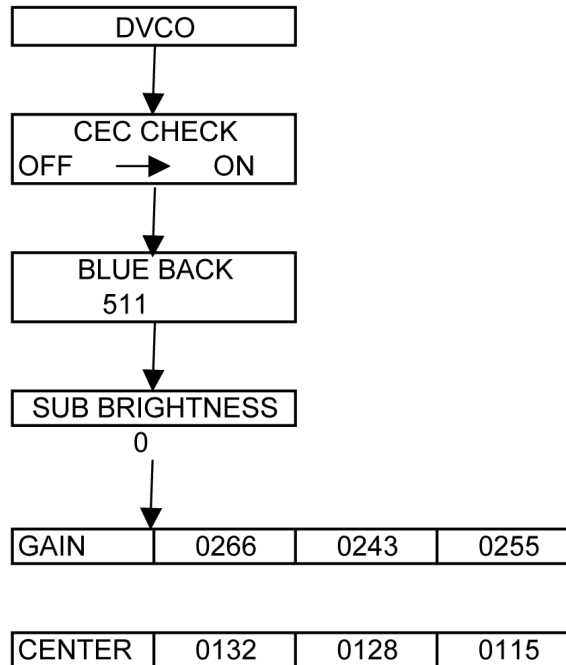


8 Service Mode Adjustment

Set channel 99 than press set timer 30min, press recall button (remote) and - button LCD panel.

8.1. SERVICE 1

1. Press Red button (remote) for adjustment below.



8.2. SERVICE 2

1. Select CEC CHECK mode in service 1 than press HOLD button (REMOTE) to enter service 2.

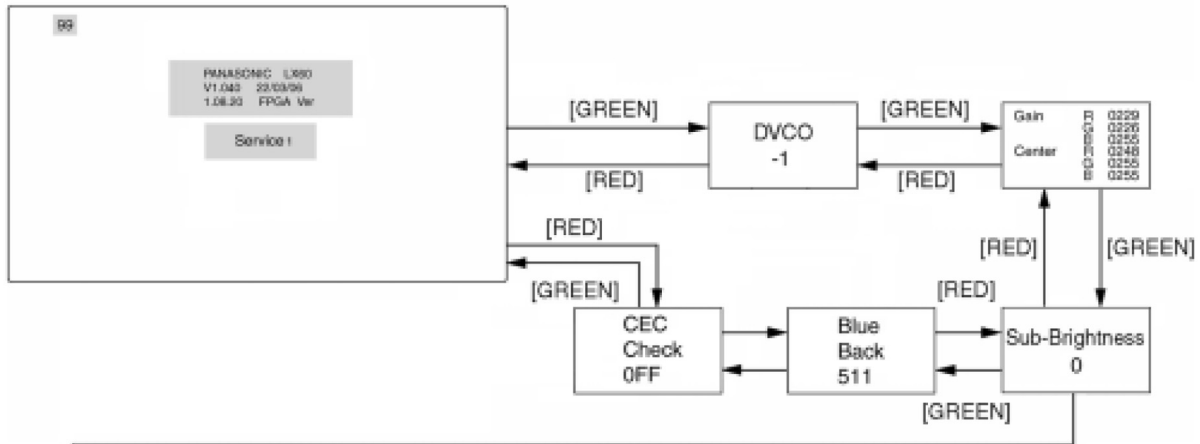
8.3. Self Check Mode

1. Press Timer button (remote) and button down at LCD panel.
2. Press Normalize button (remote) to Exit.

8.4. Hotel Mode Adjustment

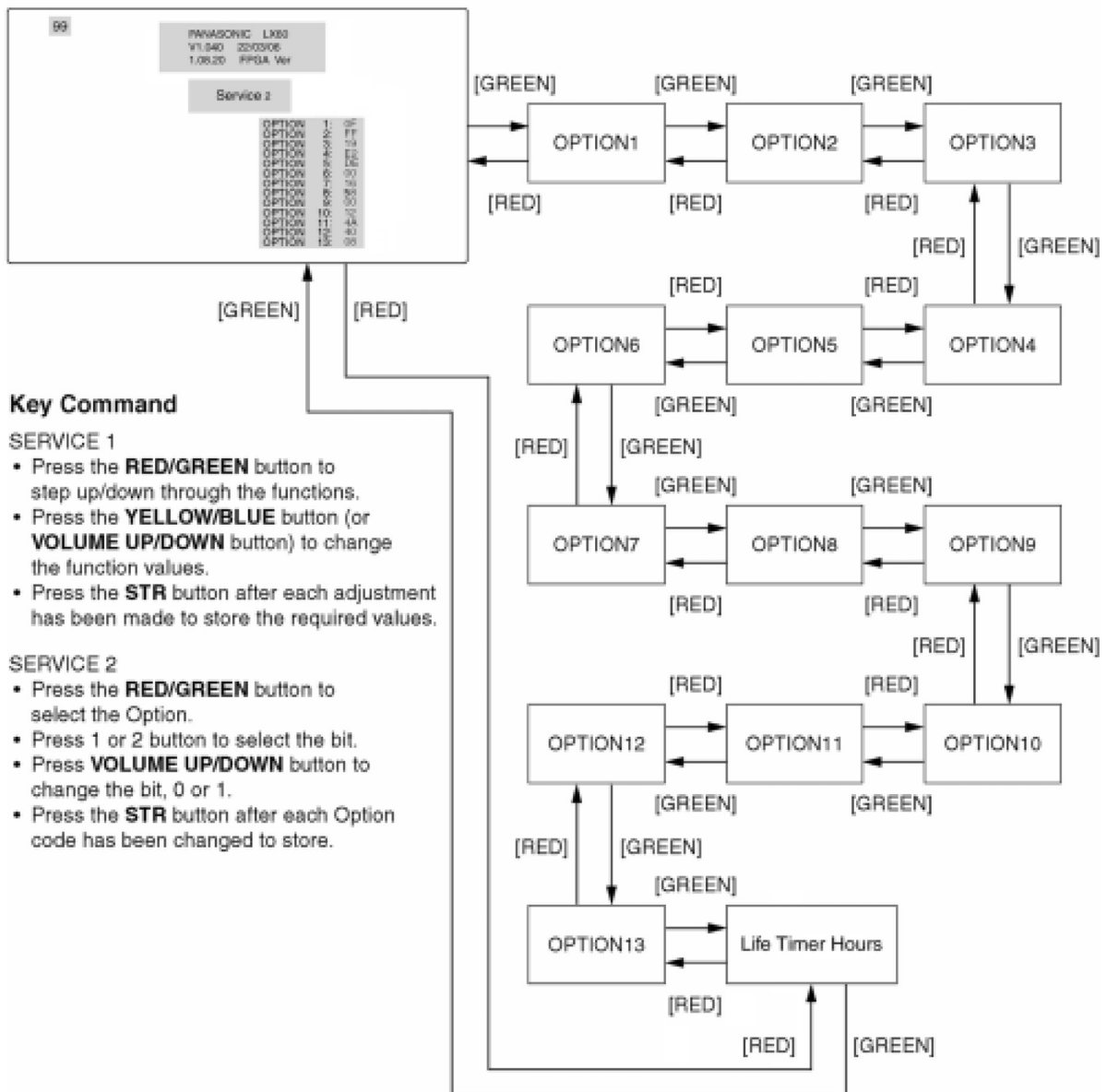
1. Press volume down (at TV panel), at same time press TV/AV (at remote).
2. Press "menu" button at remote to Exit the Hotel Mode Function.

SERVICE 1



DOWN "-" + MUTE

SERVICE 2



Key Command

SERVICE 1

- Press the **RED/GREEN** button to step up/down through the functions.
- Press the **YELLOW/BLUE** button (or **VOLUME UP/DOWN** button) to change the function values.
- Press the **STR** button after each adjustment has been made to store the required values.

SERVICE 2

- Press the **RED/GREEN** button to select the Option.
- Press 1 or 2 button to select the bit.
- Press **VOLUME UP/DOWN** button to change the bit, 0 or 1.
- Press the **STR** button after each Option code has been changed to store.

9 Adjustment

9.1. Voltage chart of A Board

Power Name	Test point	Specification	
		ON	STANDBY
MAIN_5V	TP1823	5.10±0.25V	–
PANEL_5V	TP1815	5.10±0.25V	–
BT_30V	TP1820	30.0V±2.0V	–
24V	TP1818	24.0±1.2V	–
SUB_8V	TP1821	8.1V±0.4V	–
STB_6V	TP1805	6.2V±0.35V	6.3V±0.35V
STB_3.3V	TP1835	3.30±0.17V	3.30±0.17V
STB_1.8V	TP1837	1.89±0.09V	1.89±0.09V
SOUND_21V	TP1816	21.0+1.5V, -1.0V	–

9.2. Voltage chart of AP Board

Power Name	Test point	Specification	
		ON	STANDBY
MAIN_5V	TP921	5.10±0.25V	–
PANEL_5V	TP981	5.10±0.25V	–
BT_30V	TP915	30.0V±1.5V	–
24V	TP916	24.0±1.2V	–
SUB_8V	TP920	8.10V±0.4V	–
STB_6V	TP914	6.2V±0.35V	6.3V±0.35V
STB_3.3V	TP922	3.30±0.17V	3.30±0.17V
STB_1.8V	TP923	1.89±0.09V	1.89±0.09V
SOUND_21V	TP918	21.0+1.5V, -1.0V	–

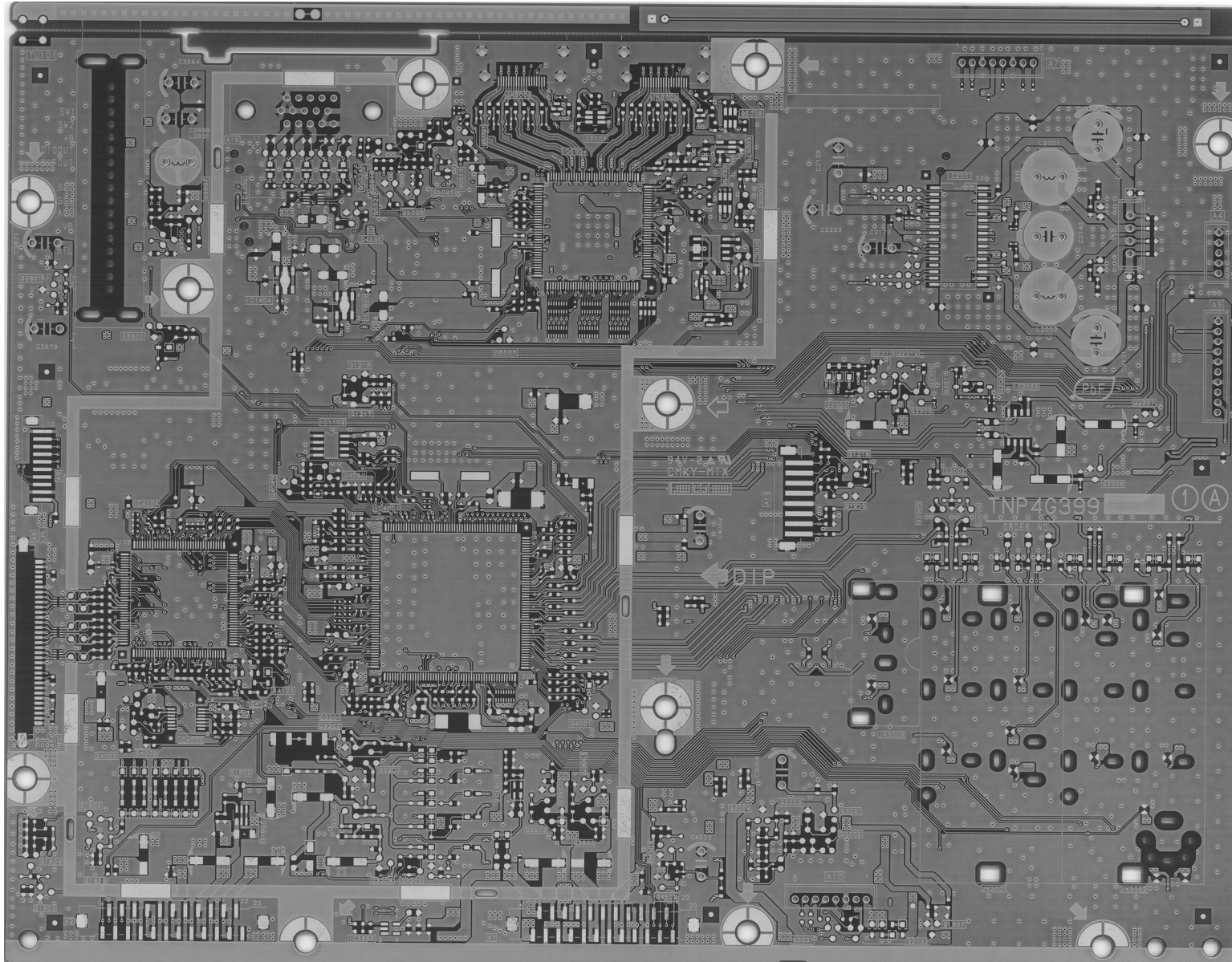
9.3. DVCO adjustment

Instrument Name	Connection	Remarks
Remote controller		
Internal signal (studio color bar)	RF input	
Procedure		
DVCO Adjustment 1. Receive the color bar pattern at AV1 composite video. Signal generator : PAL/ fp =4.43361875MHz (ref.) 2. Go to "DVCO" under Service 1. 3. Make automatic adjustment of DVCO by the blue key. (About 3sec.) The display color of DVCO serves as black (START) - red (under adjustment) - black (completion).		

10 Conductor Views

10.1. A-Board

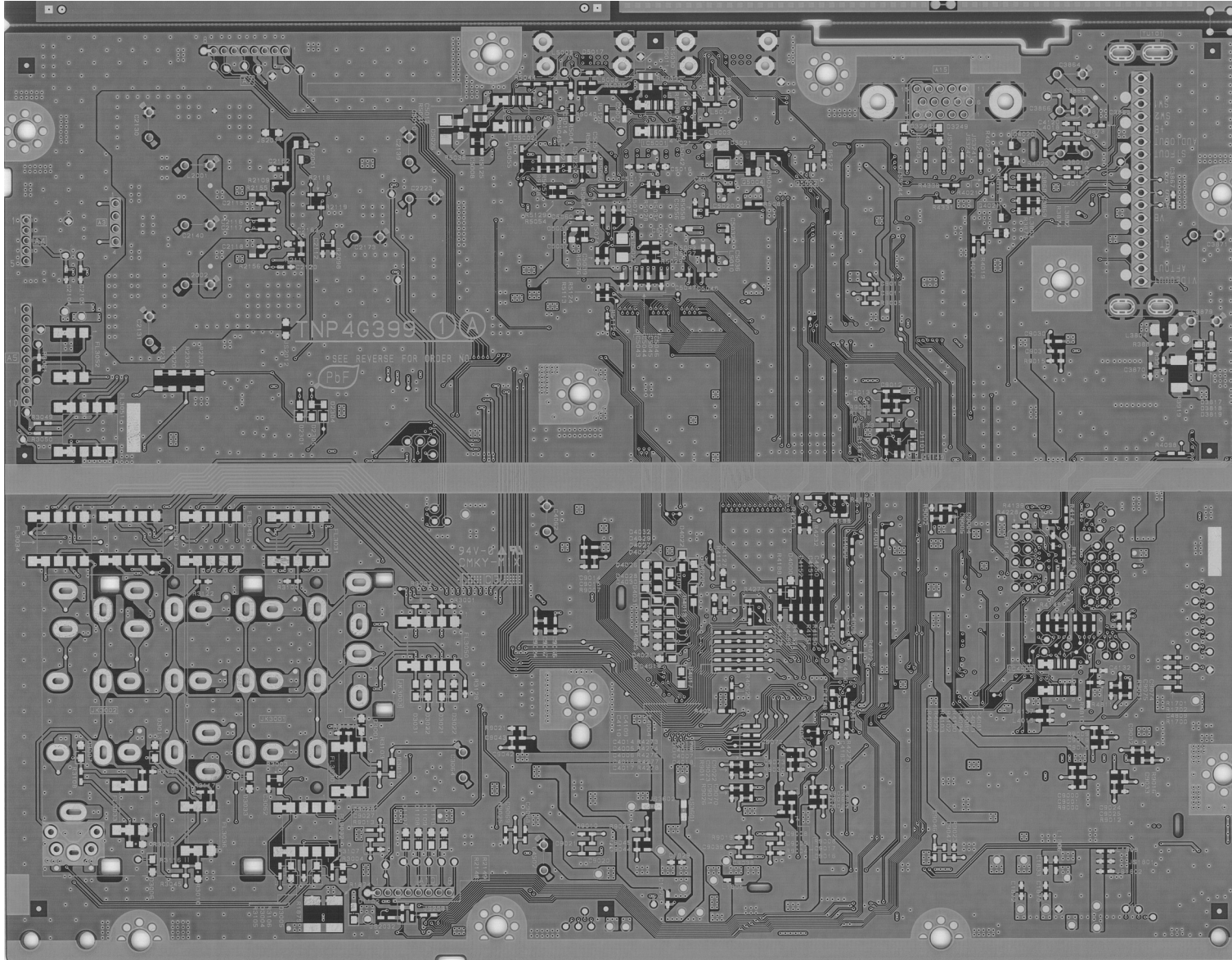
A-BOARD (A SIDE)
TNP4G399



Parts Location

A-BOARD	
IC	
IC4006	
IC1804	
IC1805	
IC5003	
IC5004	
IC5005	
IC1102	
IC4004	
IC4001	
IC4005	
IC1803	
IC3860	
IC2005	
IC2001	

10.2. A-Board

A-BOARD (B SIDE)
TNP4G399

Parts Location

A-BOARD	
IC	
IC5002	
IC5001	
IC4003	




11 Schematic Diagram




11.1. Schematic Diagram Notes

Important Safety Notice

Components identified by \triangle mark have special characteristics important for safety.
When replacing any of these components, use only manufacture's specified parts.

Notes:

1. **Resistor**
Unit of resistance is OHM [Ω] (K=1,000, M=1,000,000).
2. **Capacitor**
Unit of capacitance is μ F, unless otherwise noted.
3. **Coil**
Unit of inductance is μ F, unless otherwise noted.
4. **Test Point**
 : Test Point position
5. **Earth Symbol**
 : Chassis Earth (Cold)  : Line Earth (Hot)
6. **Voltage Measurement**
Voltage is measured by a DC voltmeter.
Conditions of the measurement are the following:

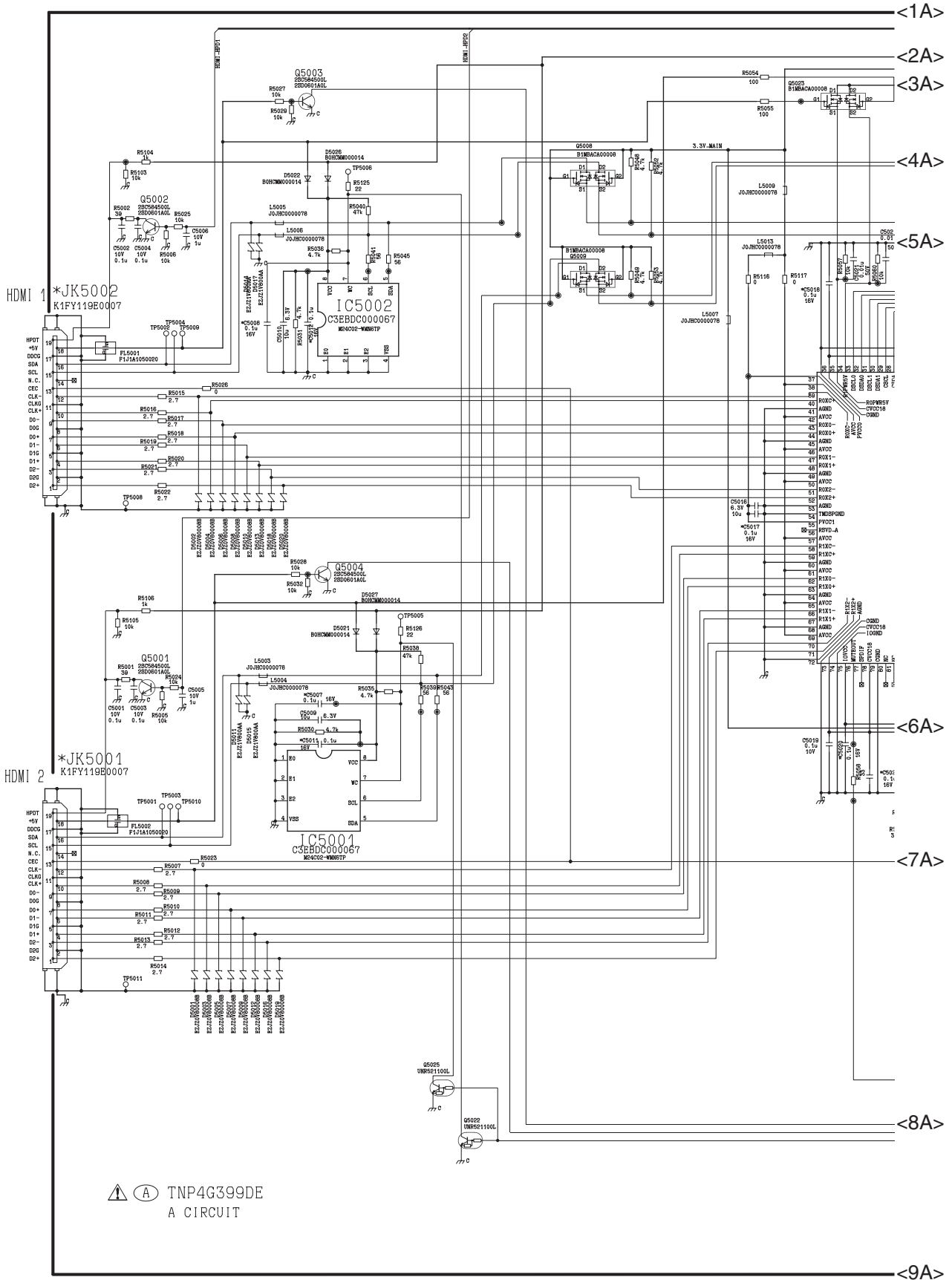
Power Source	AC SINGLE 220V, 50Hz
Receiving Signal	Colour Bar signal (RF)
All customer's controls	Maximum positions
7. Number in red circle indicates waveform number.
(See waveform pattern table.)
8. When arrow mark () is found, connection is easily found from the direction of arrow
9. Indicates the major signal flow. : Video  Audio 
10. This schematic diagram is the latest at the time of printing and subject to change without notice.

Remarks:

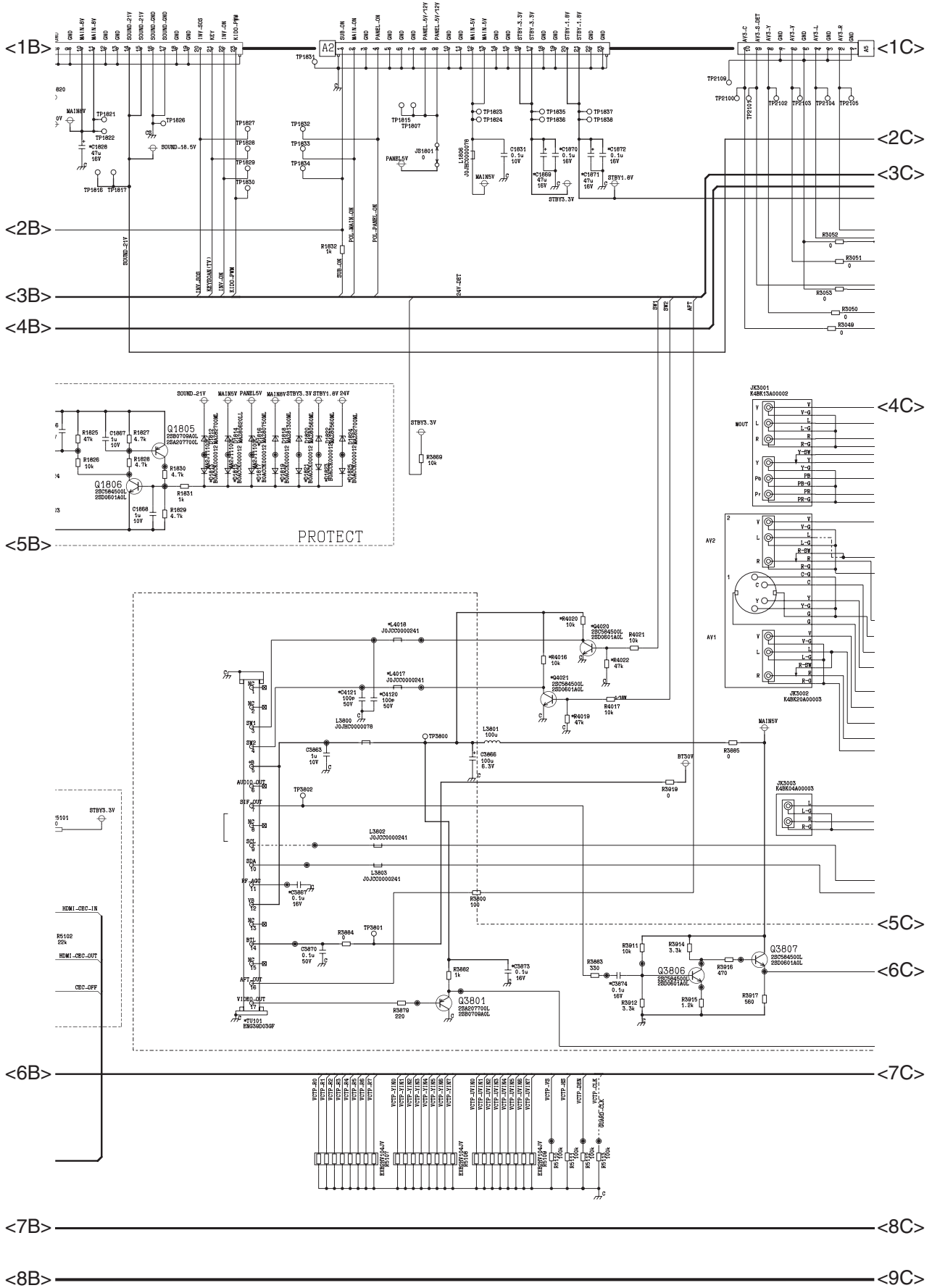
1. The Power Circuit contains a circuit area which uses a separate power supply to isolate the earth connection.
The circuit is defined by HOT and COLD indications in the schematic diagram. Take the following precautions.
All circuits, except the Power Circuit, are cold.
Precautions
 - a. Do not touch the hot part or the hot and cold parts at the same time or you may be shocked.
 - b. Do not short- circuit the hot and cold circuits or a fuse may blow and parts may break.
 - c. Do not connect an instrument, such as an oscilloscope, to the hot and cold circuits simultaneously or a fuse may blow.
Connect the earth of instruments to the earth connection of the circuit being measured.
 - d. Make sure to disconnect the power plug before removing the chassis.

11.2. A Board

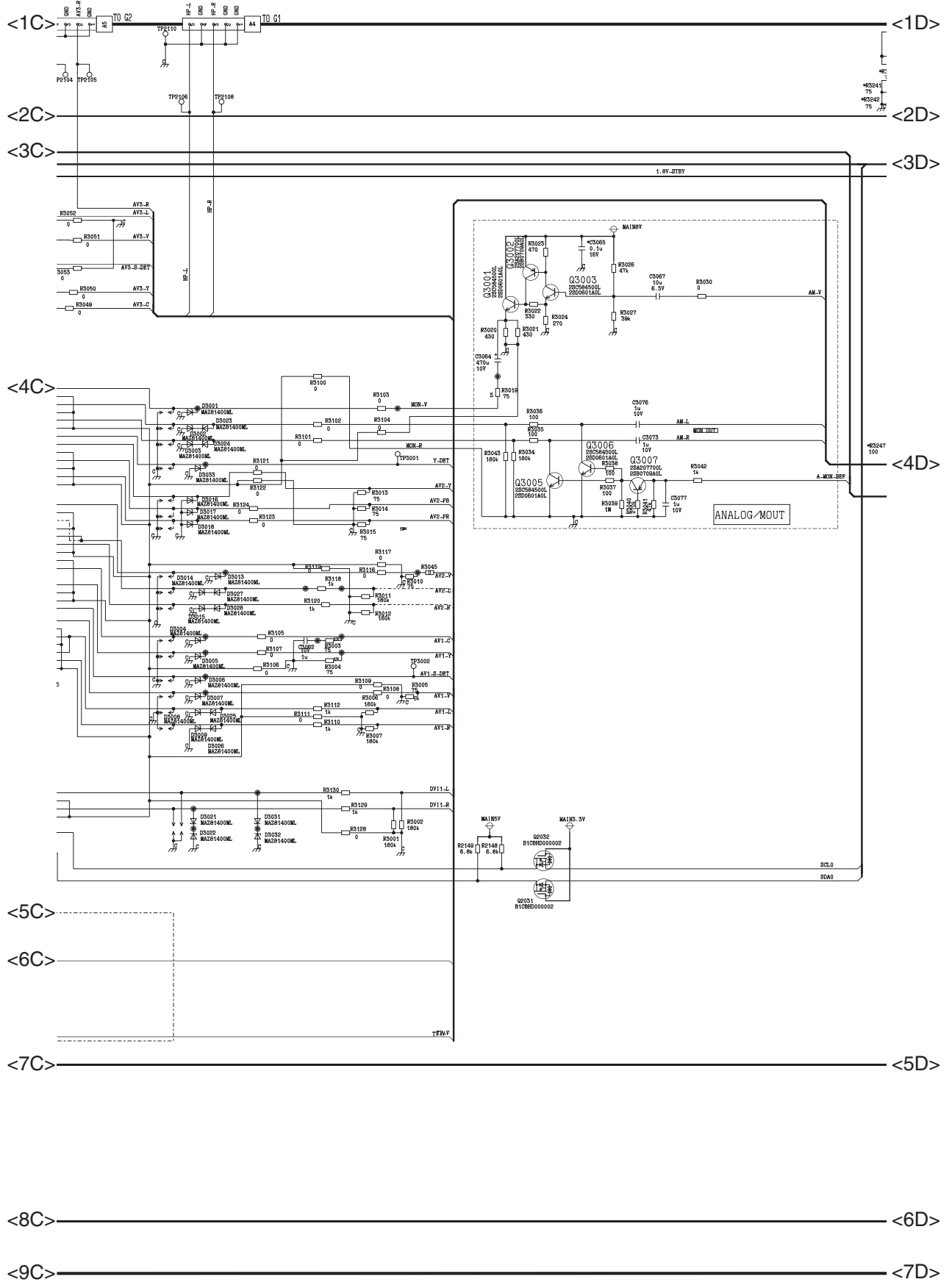
11.2.1. A Board (1 / 10)



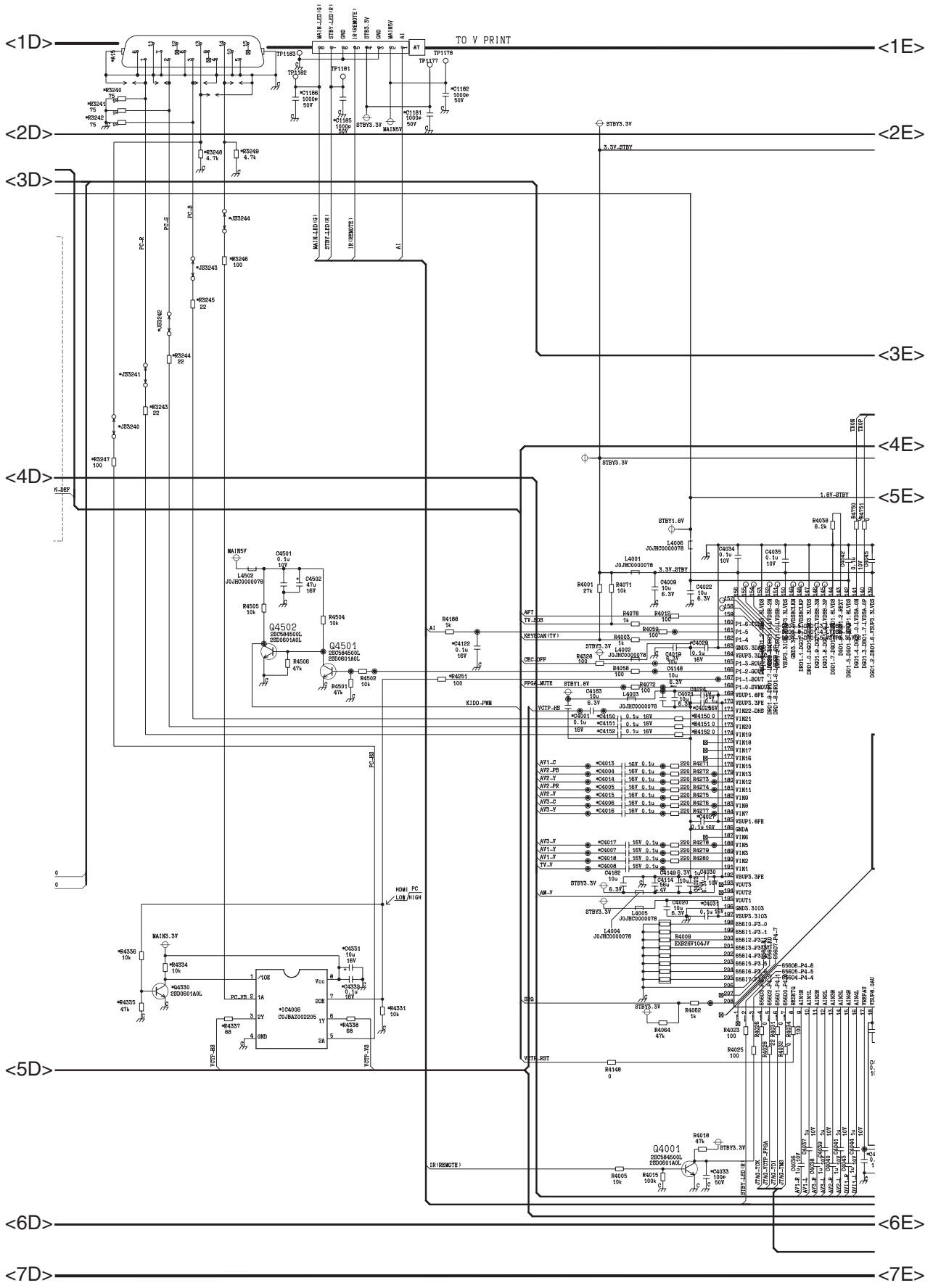
11.2.3. A Board (3 / 10)



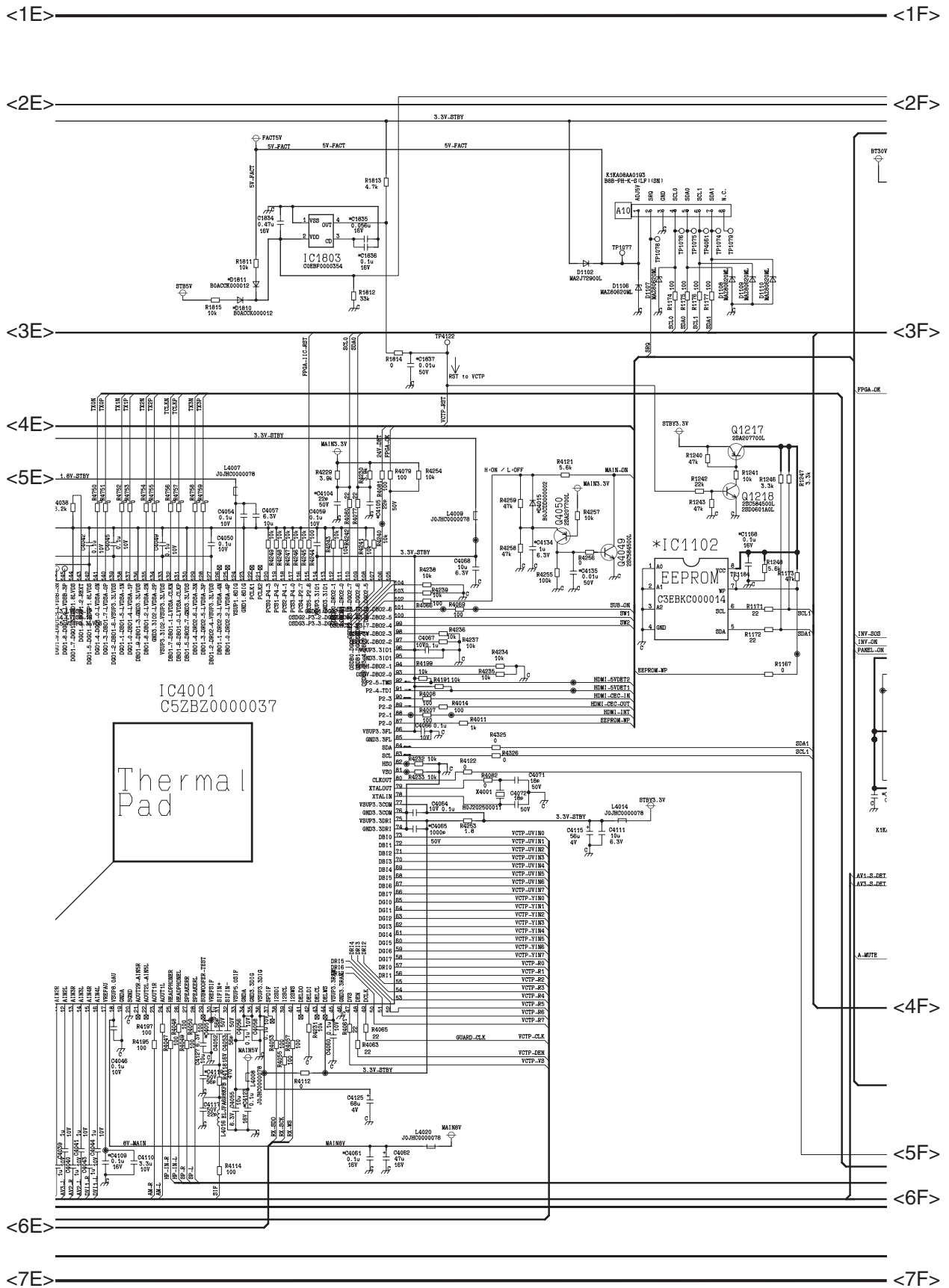
11.2.4. A Board (4 / 10)



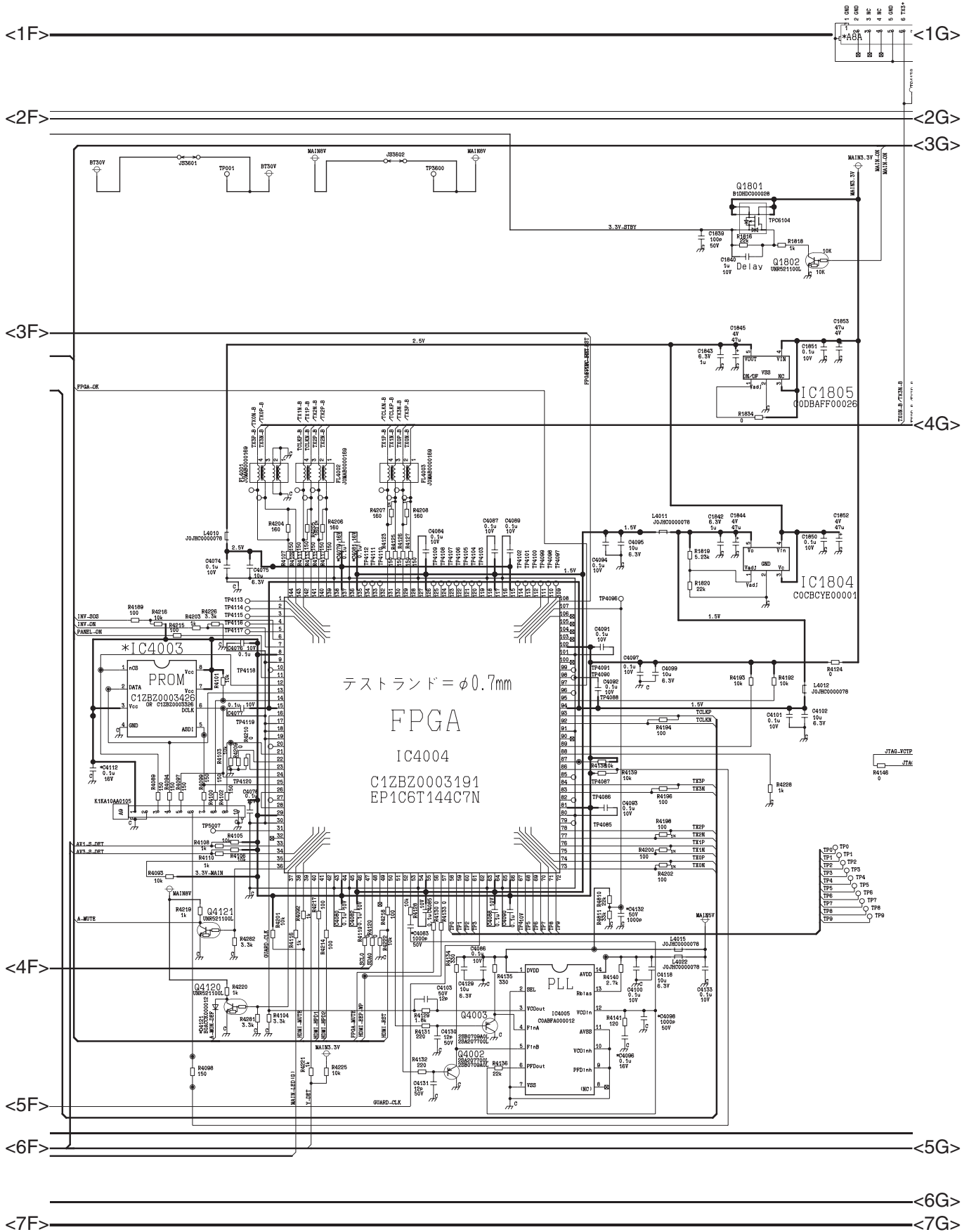
11.2.5. A Board (5 / 10)



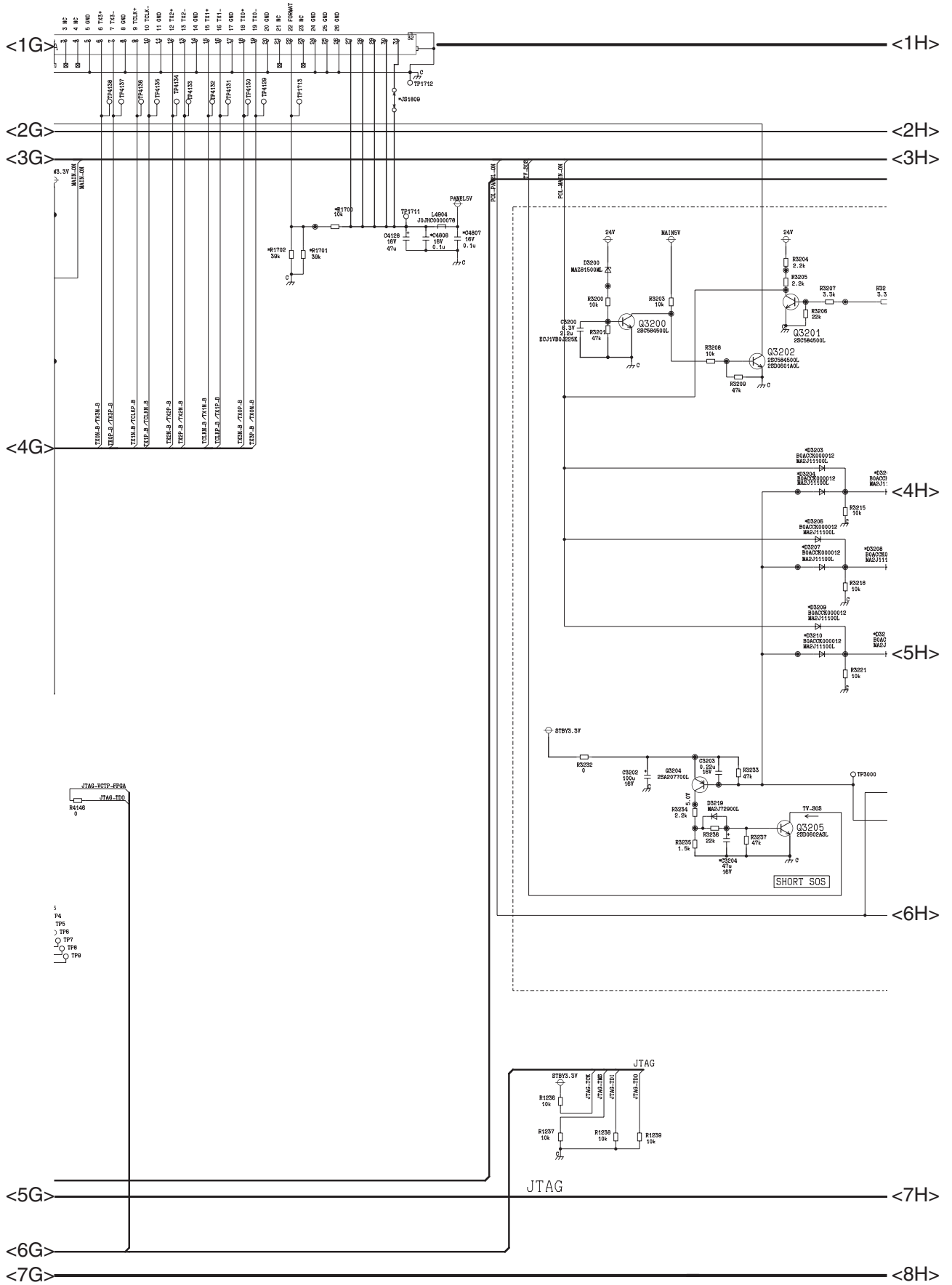
11.2.6. A Board (6 / 10)



11.2.7. A Board (7 / 10)



11.2.8. A Board (8 / 10)



11.2.9. A Board (9 / 10)

<1H>

<1I>

<2H>

<2I>

<3H>

<3I>

<4H>

<4I>

<5H>

<5I>

<6H>

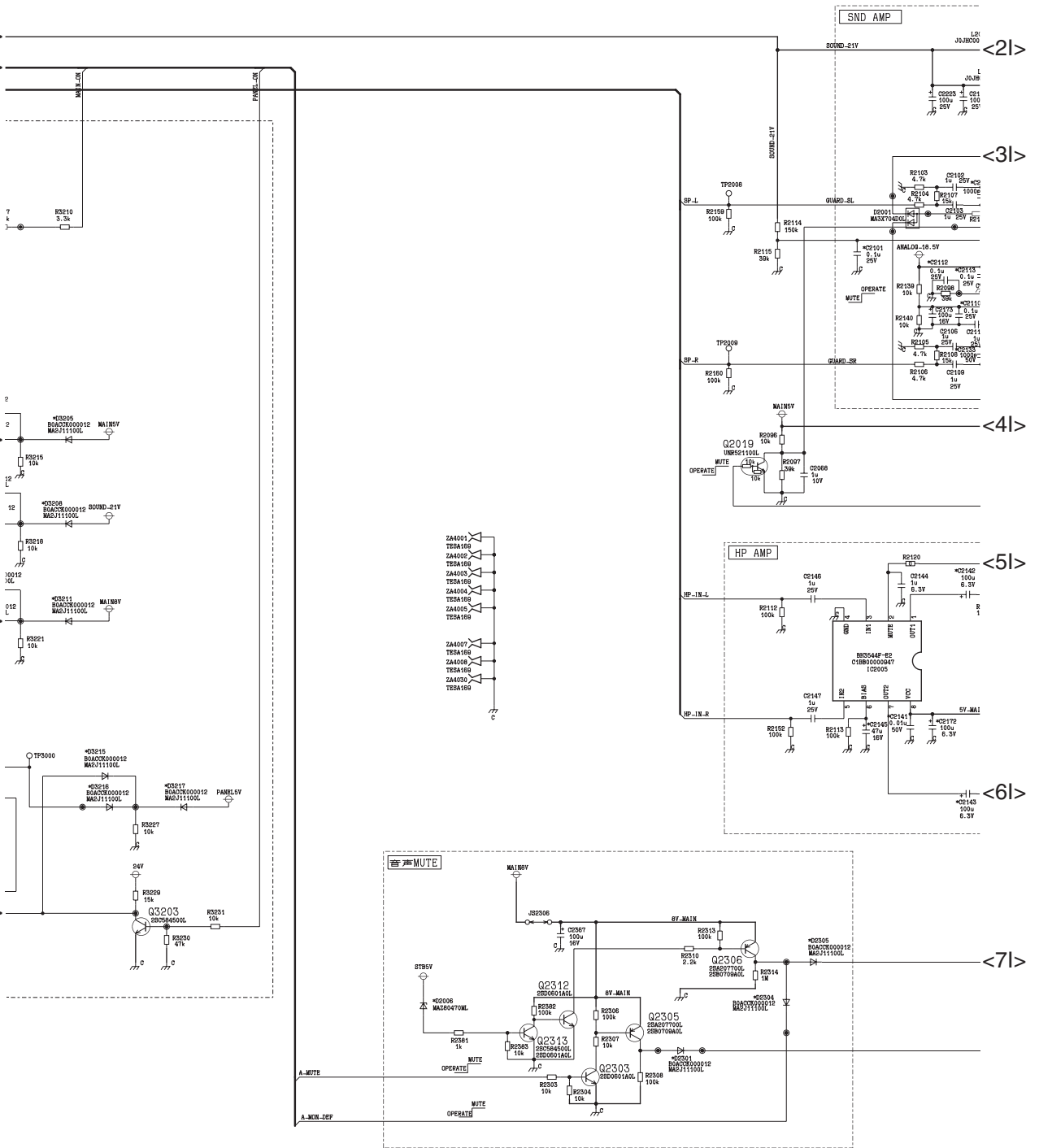
<6I>

<7H>

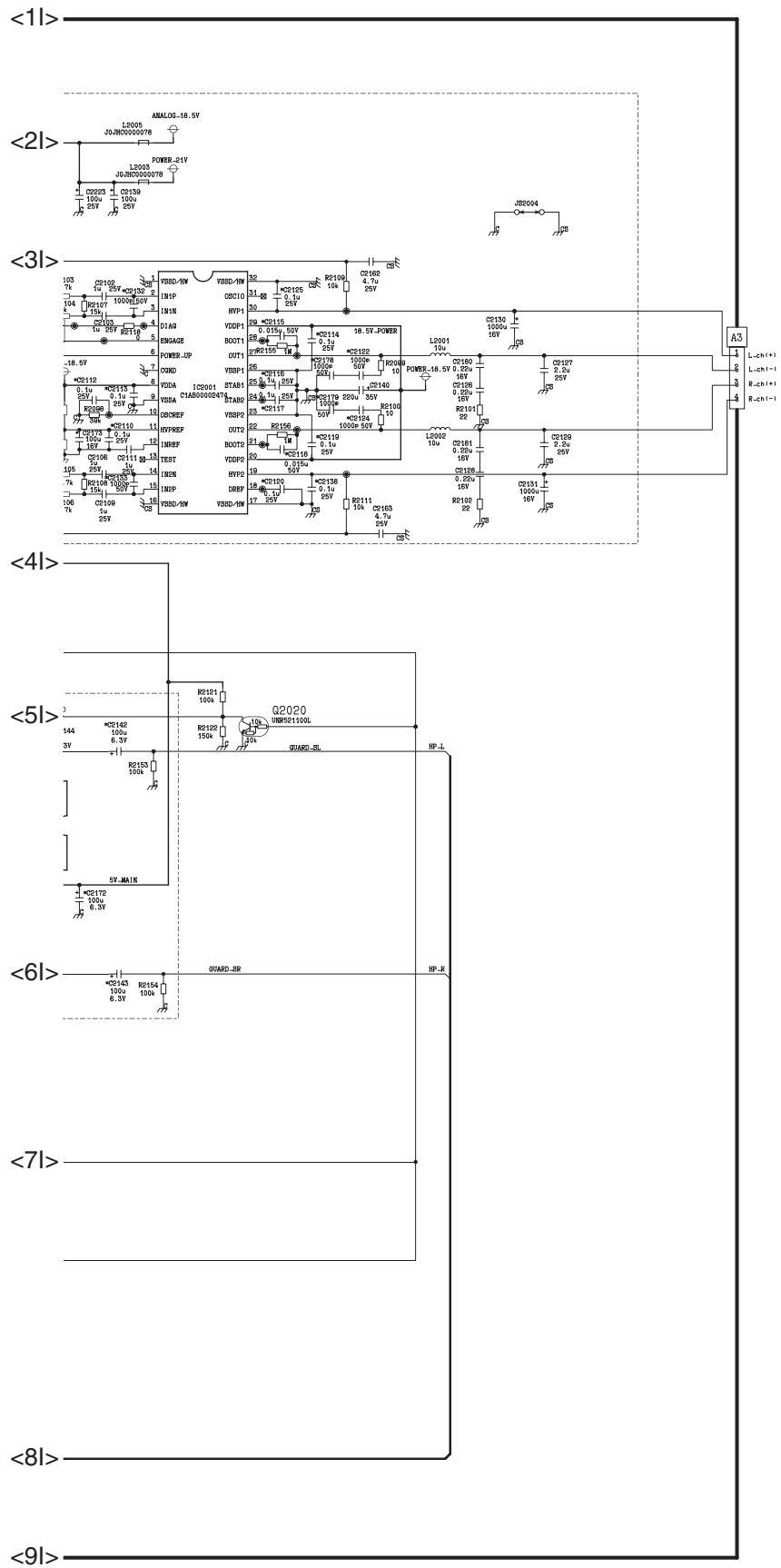
<7I>

<8H>

<9I>

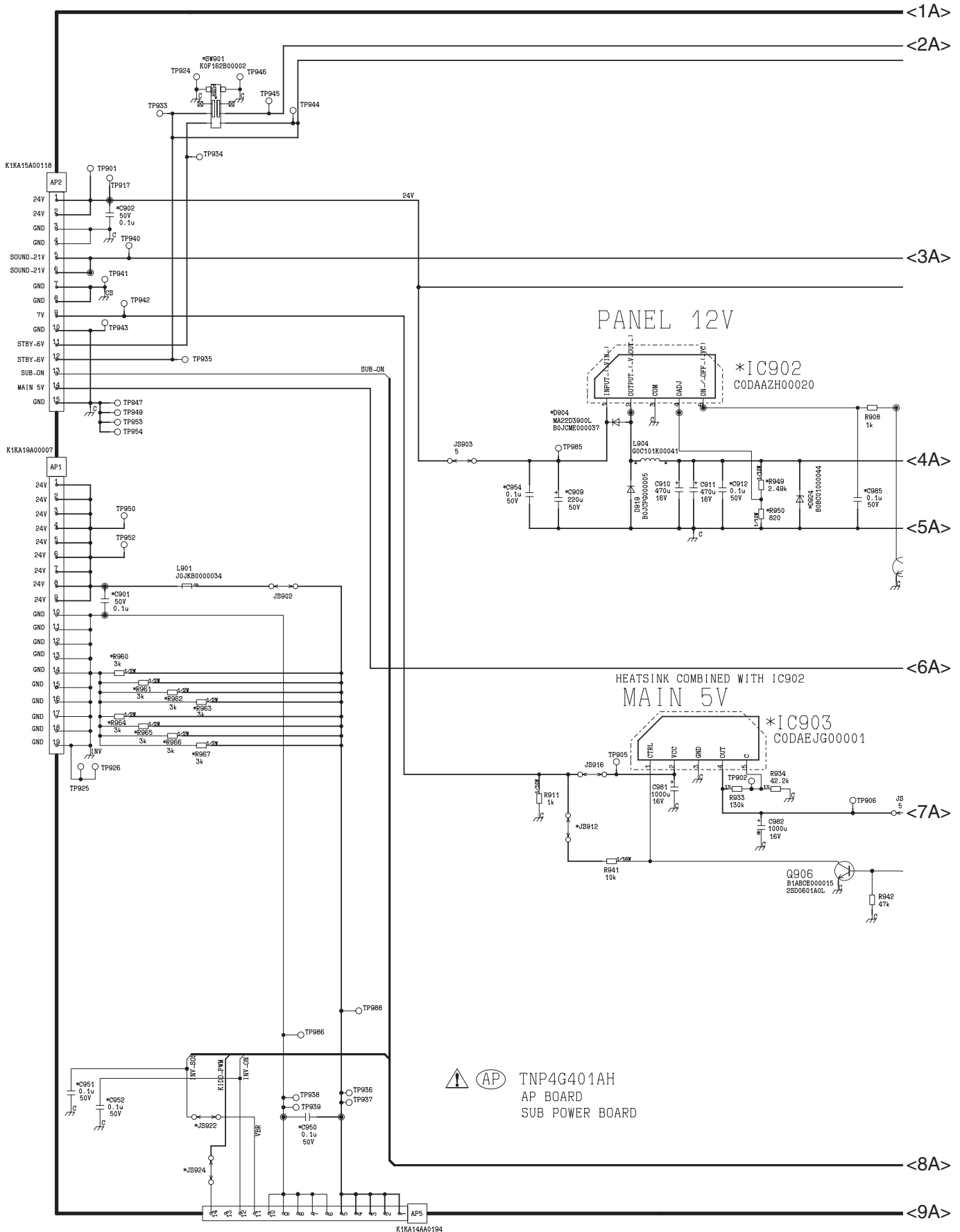


11.2.10. A Board (10 / 10)

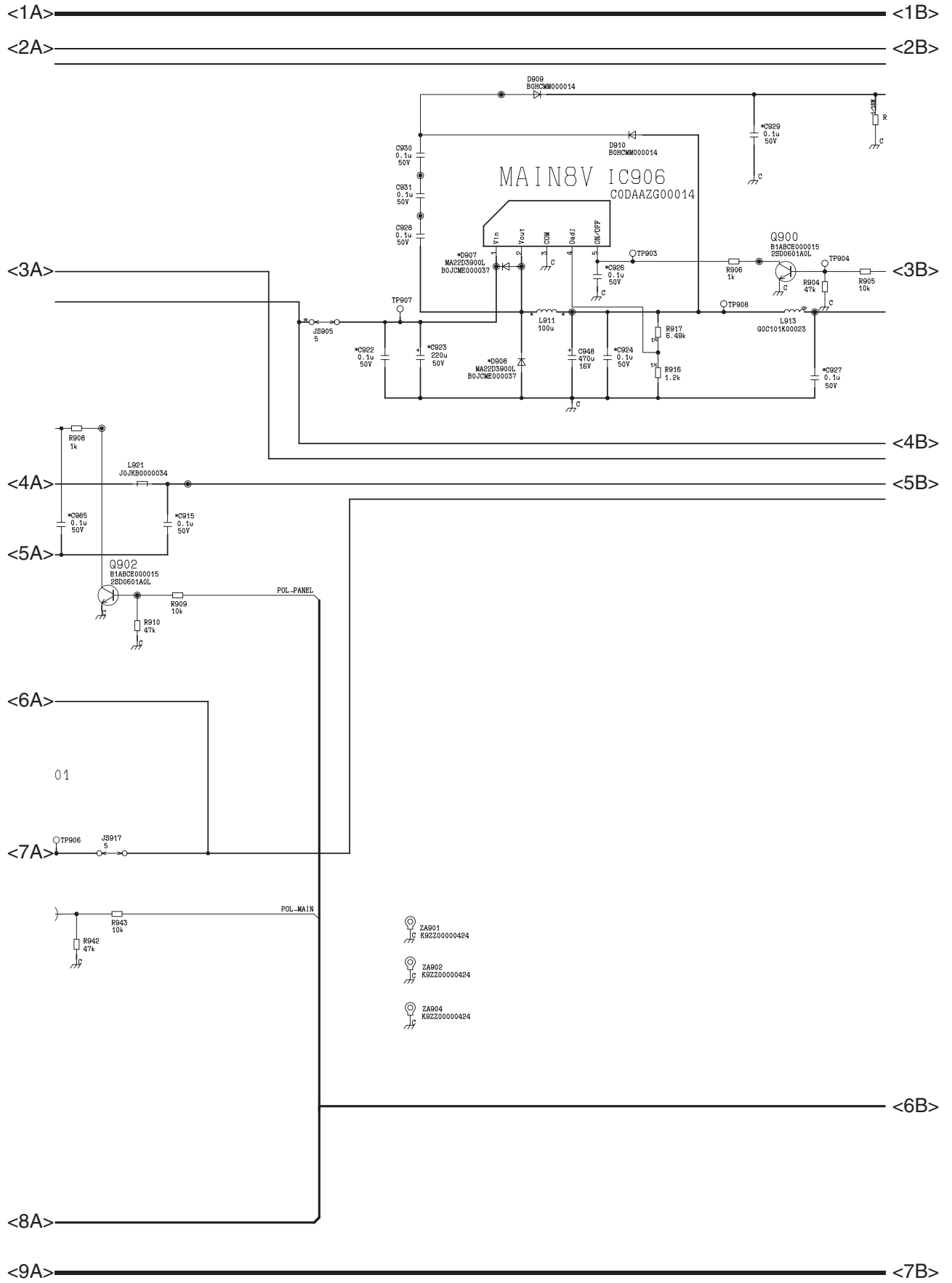


11.3. AP Board

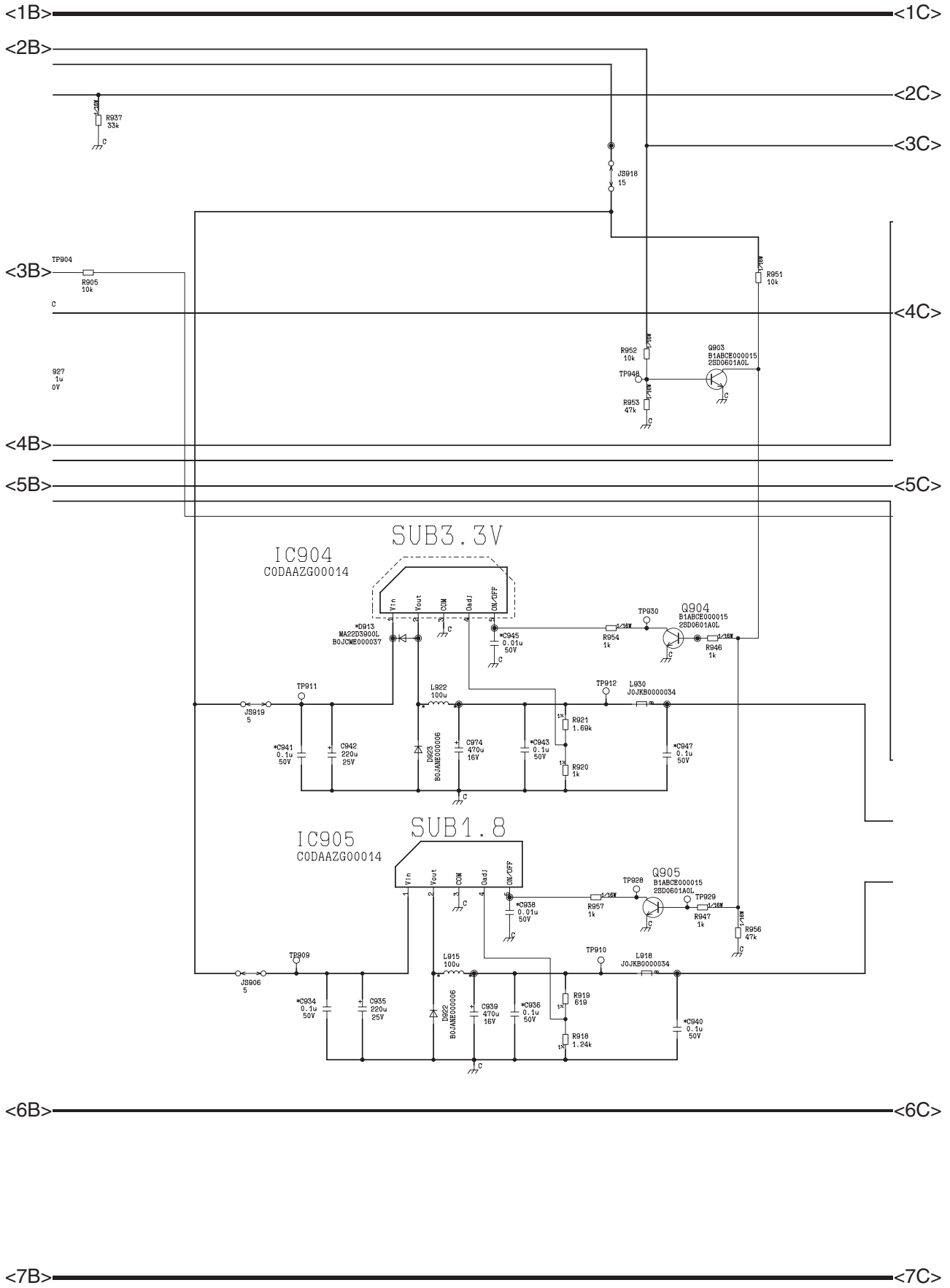
11.3.1. AP Board (1 / 4)



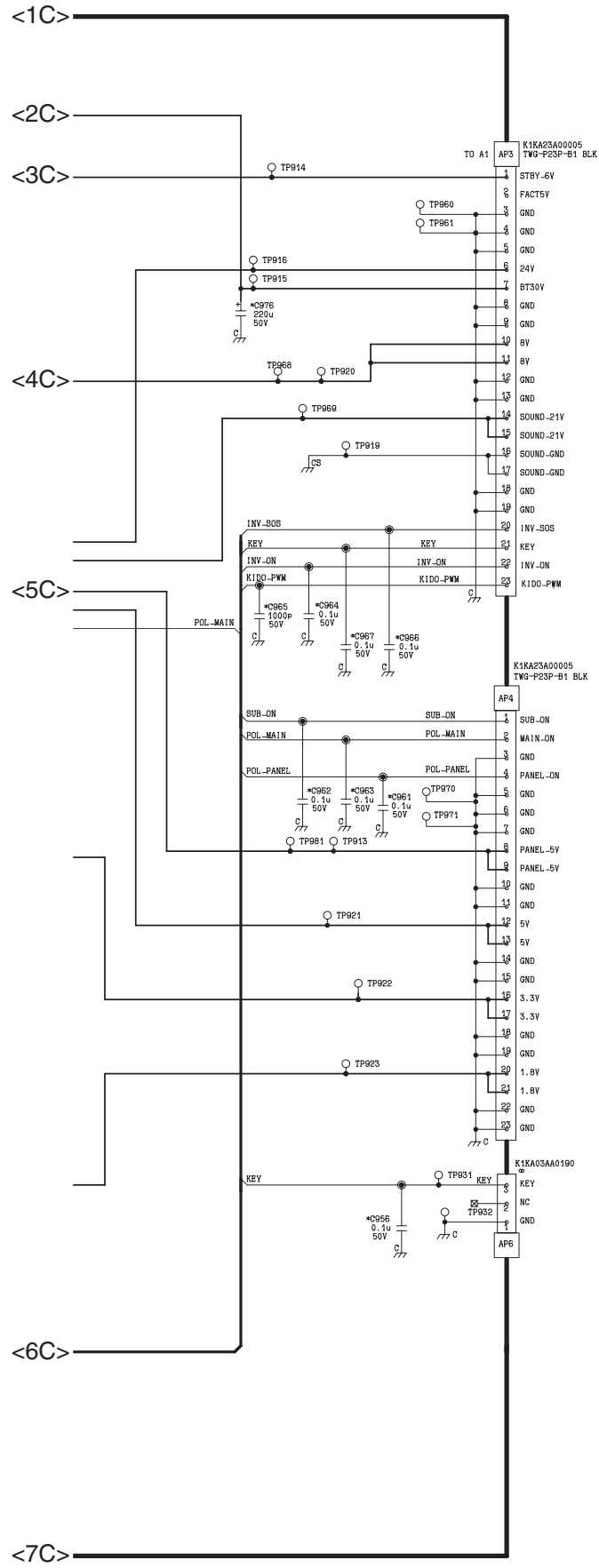
11.3.2. AP Board (2 / 4)



11.3.3. AP Board (3 / 4)



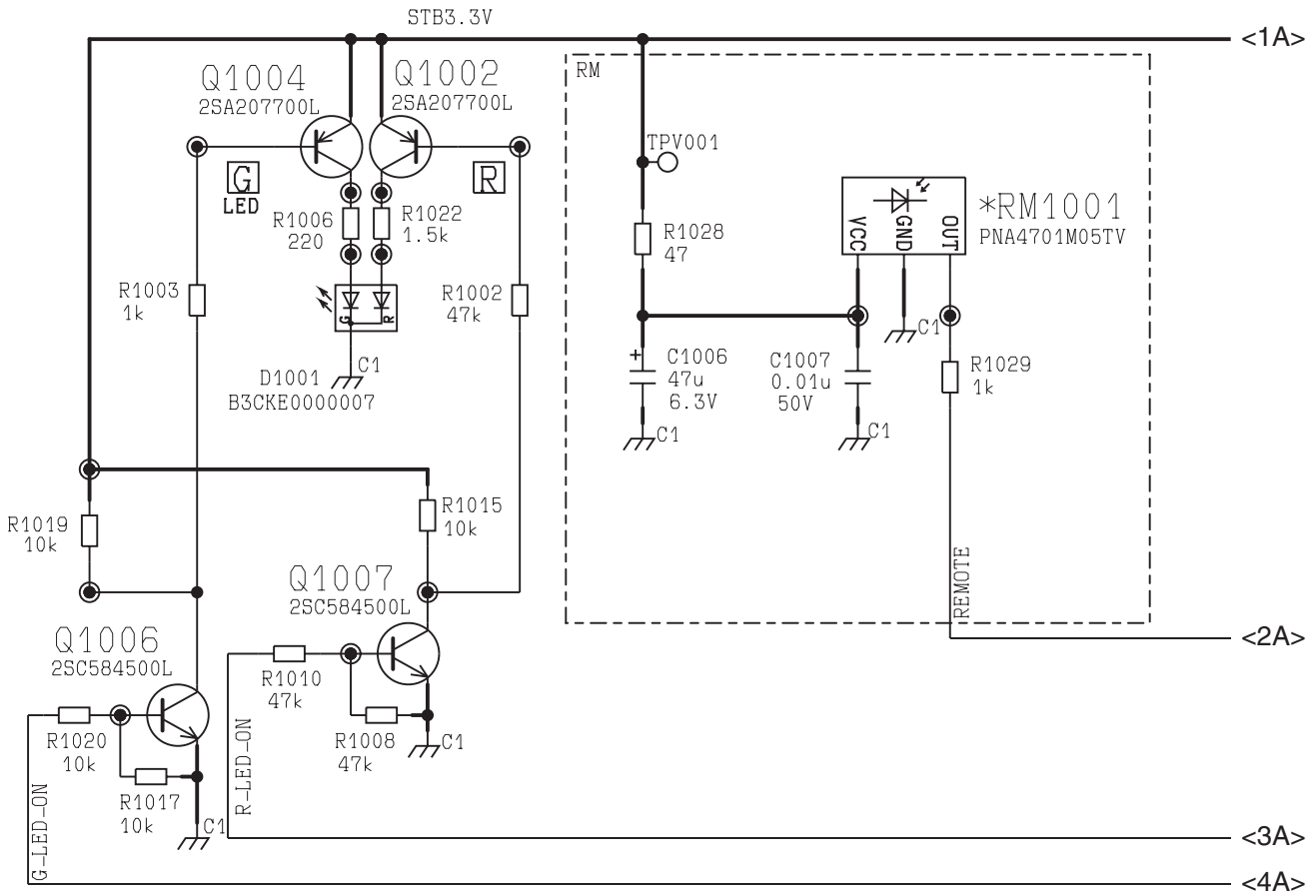
11.3.4. AP Board (4 / 4)



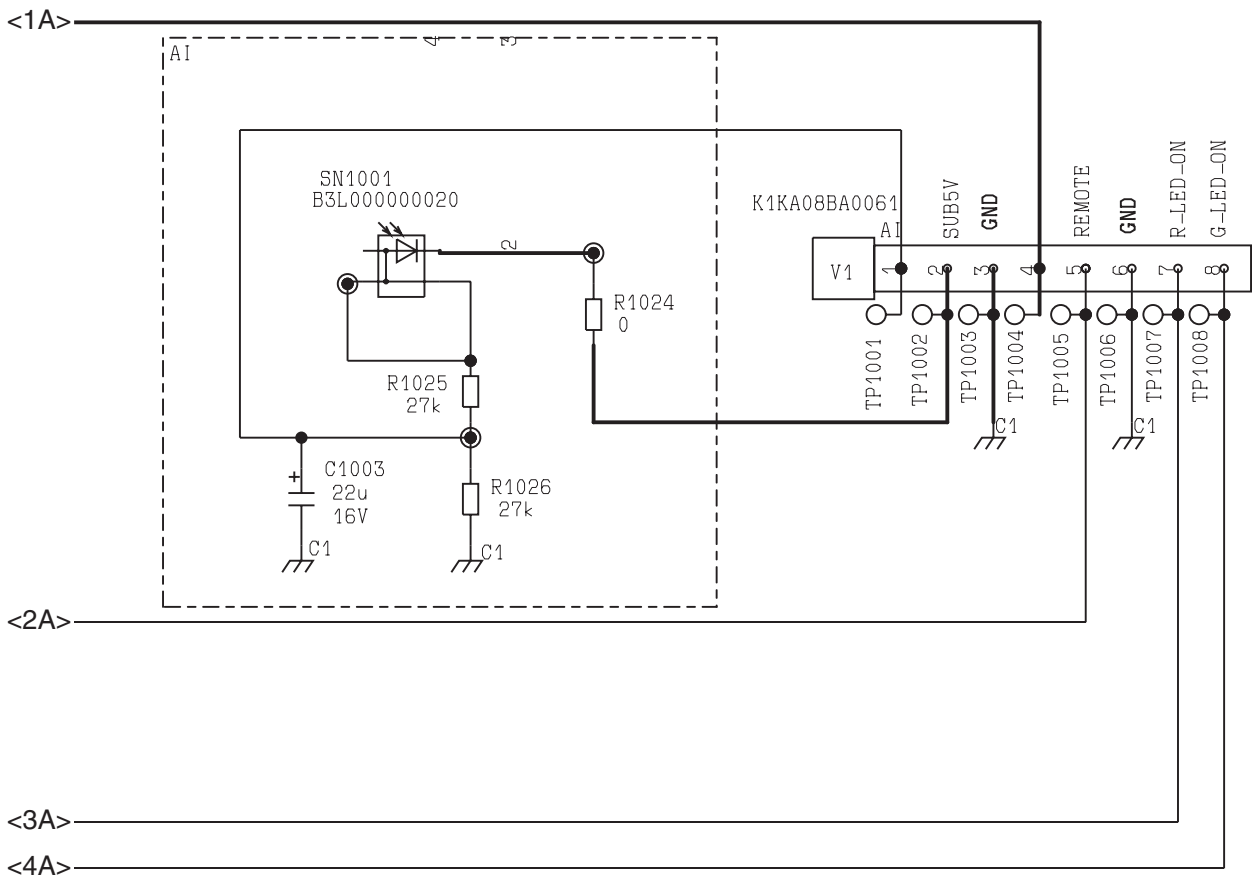
11.4. V Board

11.4.1. V Board (1 / 2)

⚠️ (V) TNP4G400AG
V BOARD
LED BOARD

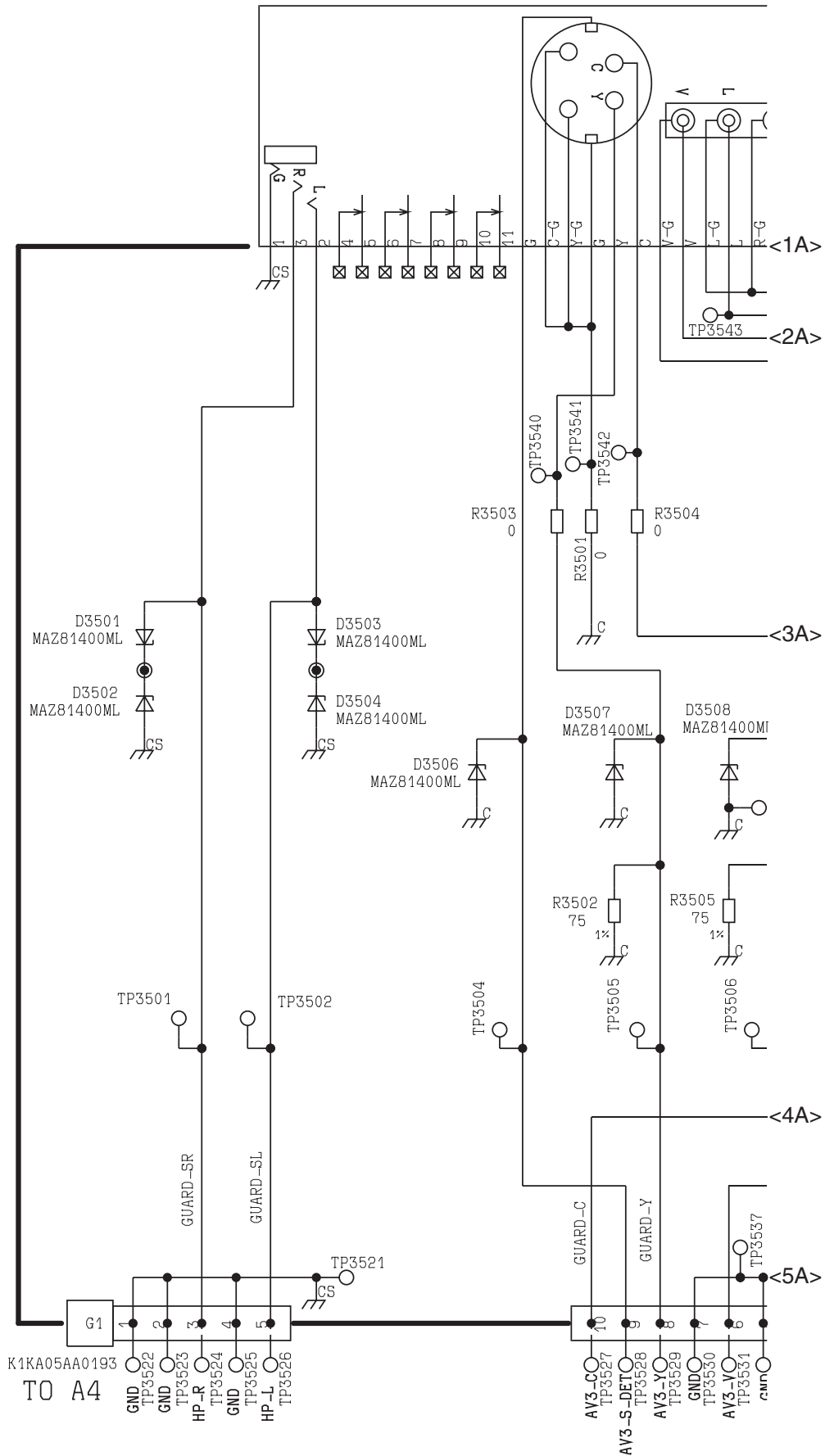


11.4.2. V Board (2 / 2)

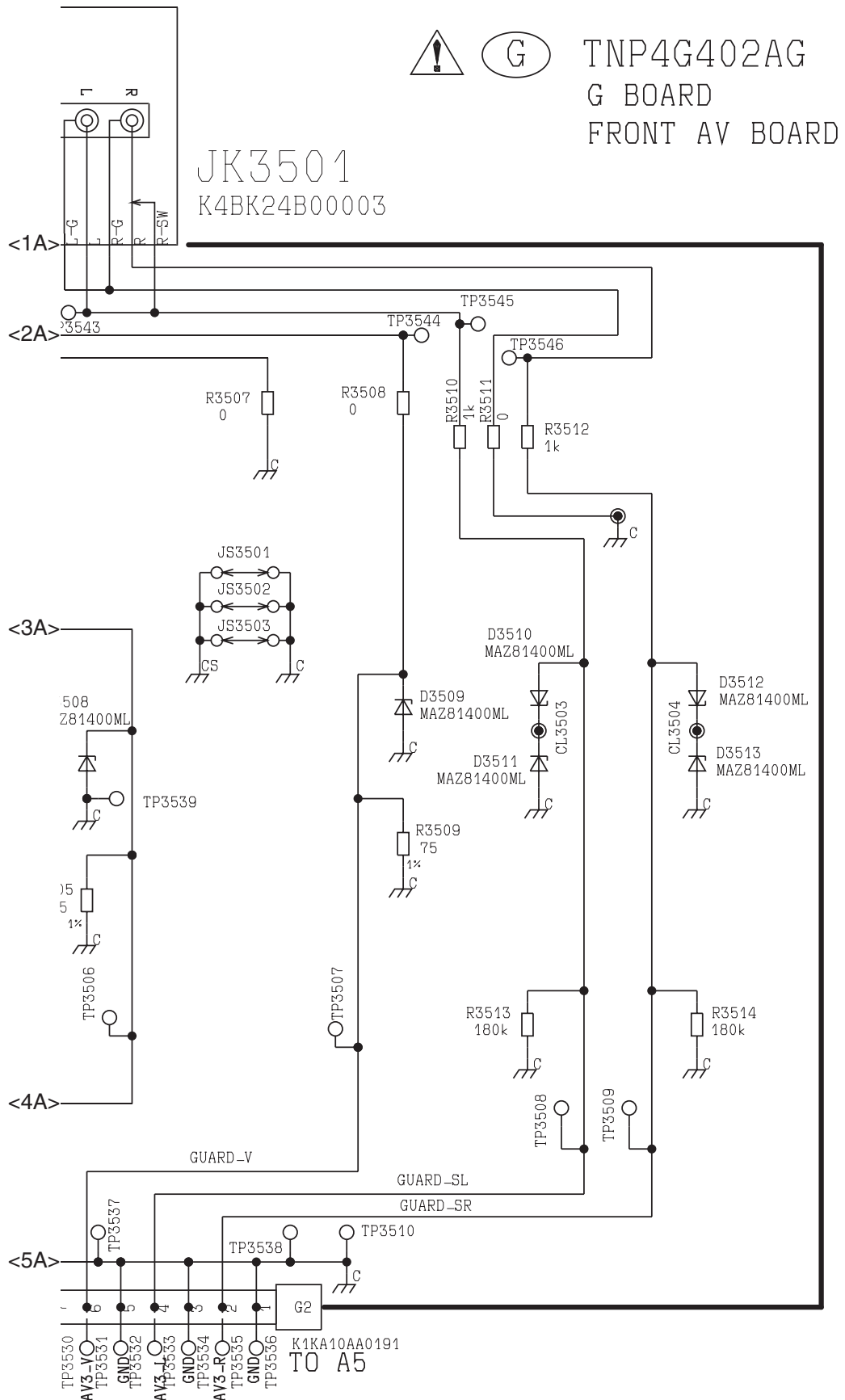


11.5. G Board

11.5.1. G Board (1 / 2)

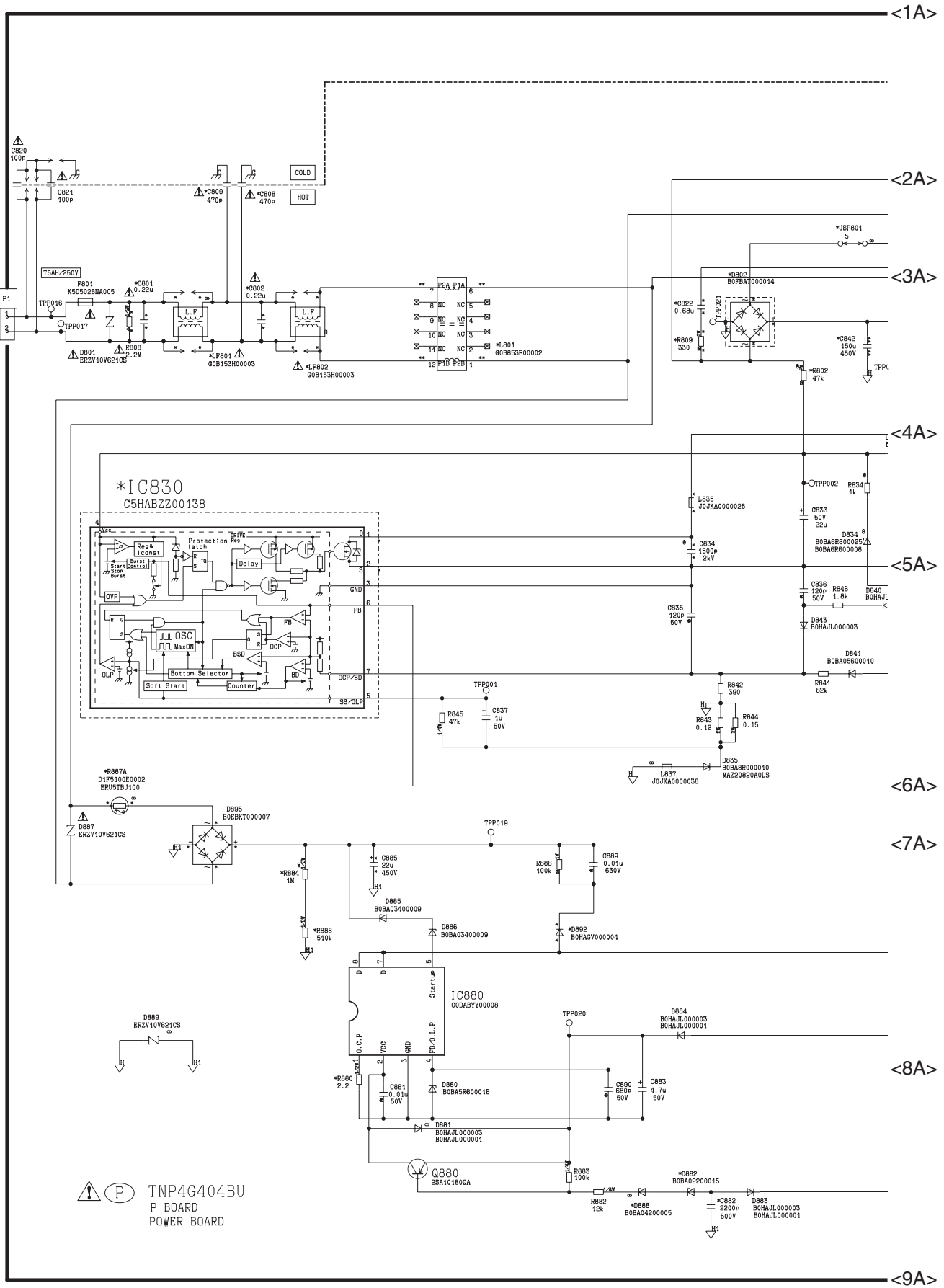


11.5.2. G Board (2 / 2)



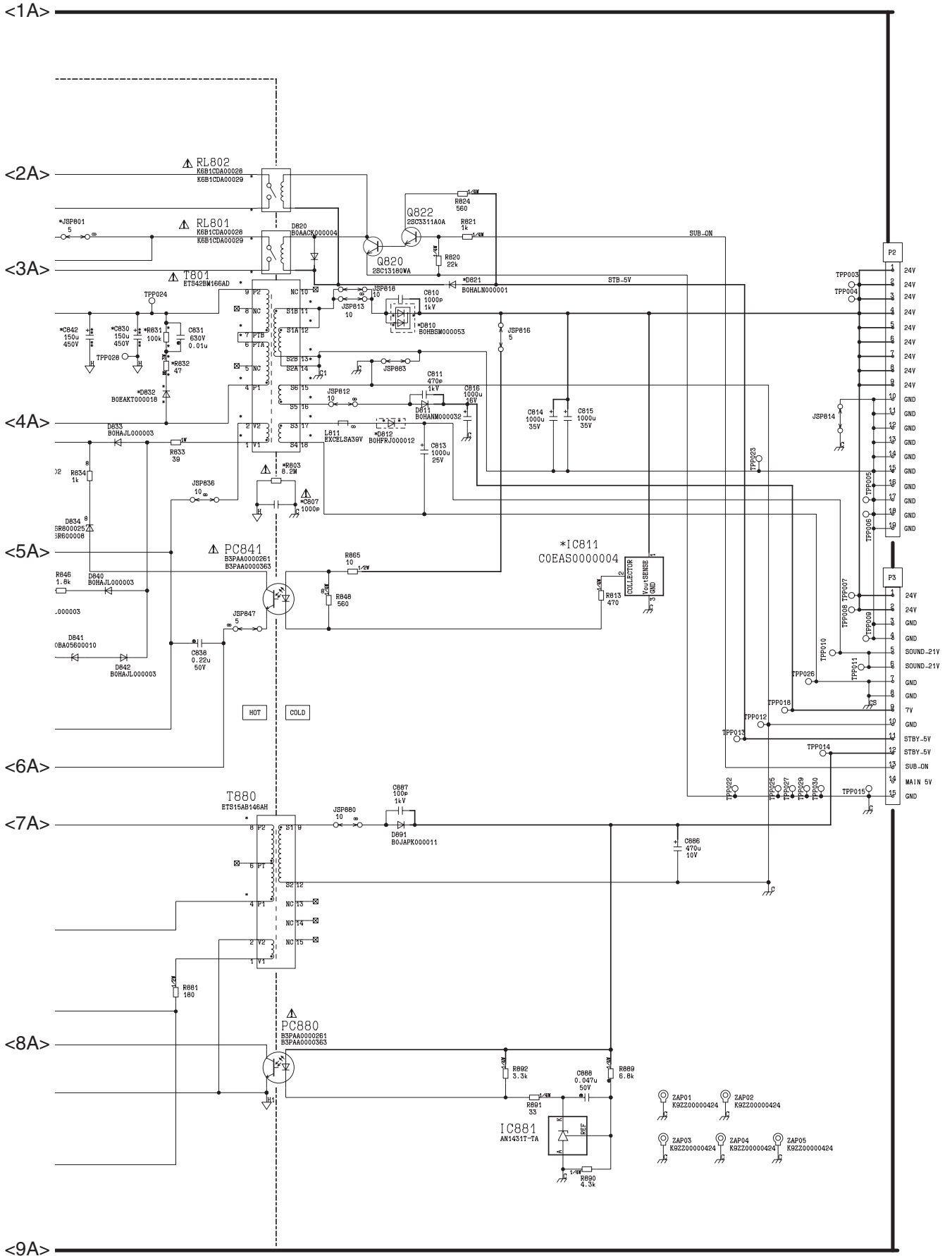
11.6. P Board

11.6.1. P Board (1 / 2)



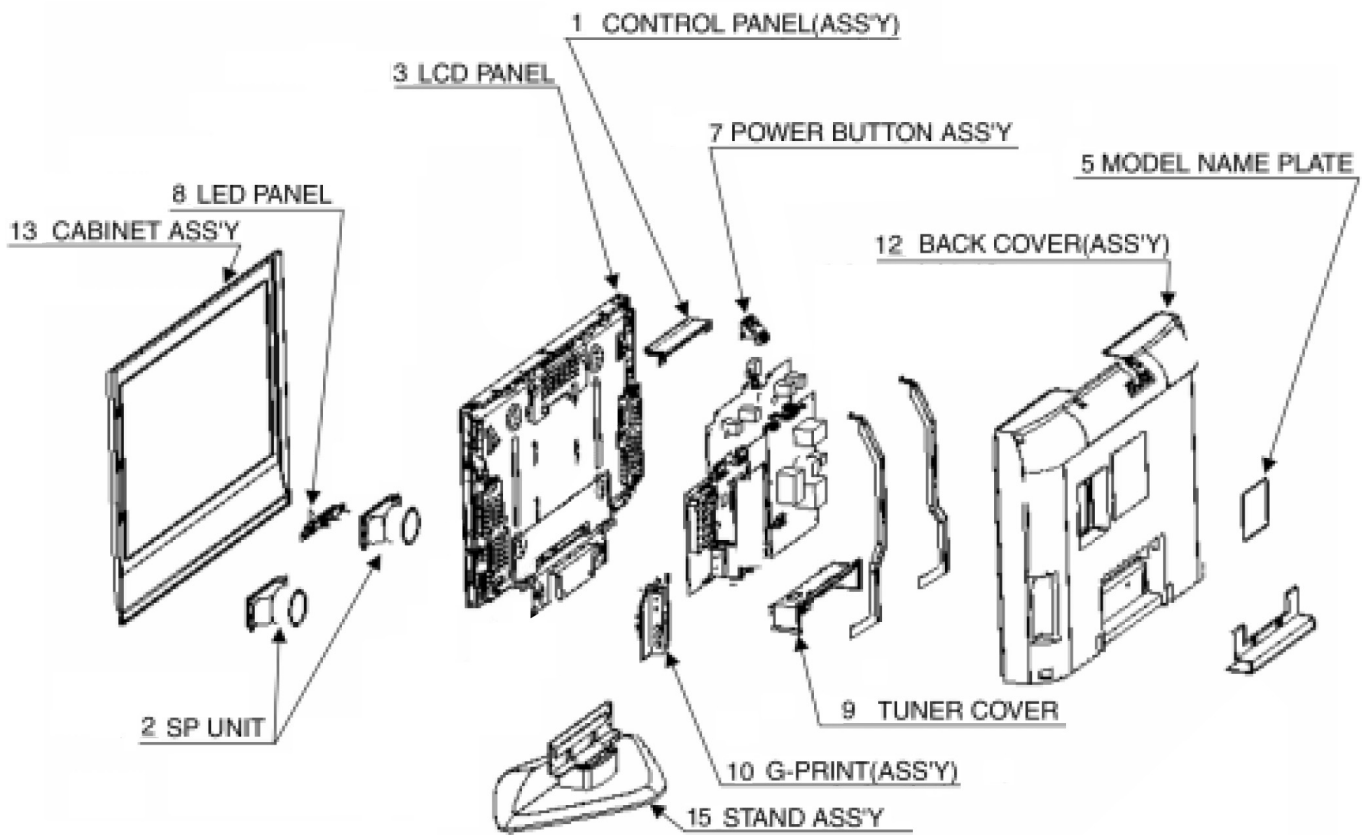
⚠ (P) TNP4G404BU
P BOARD
POWER BOARD

11.6.2. P Board (2 / 2)

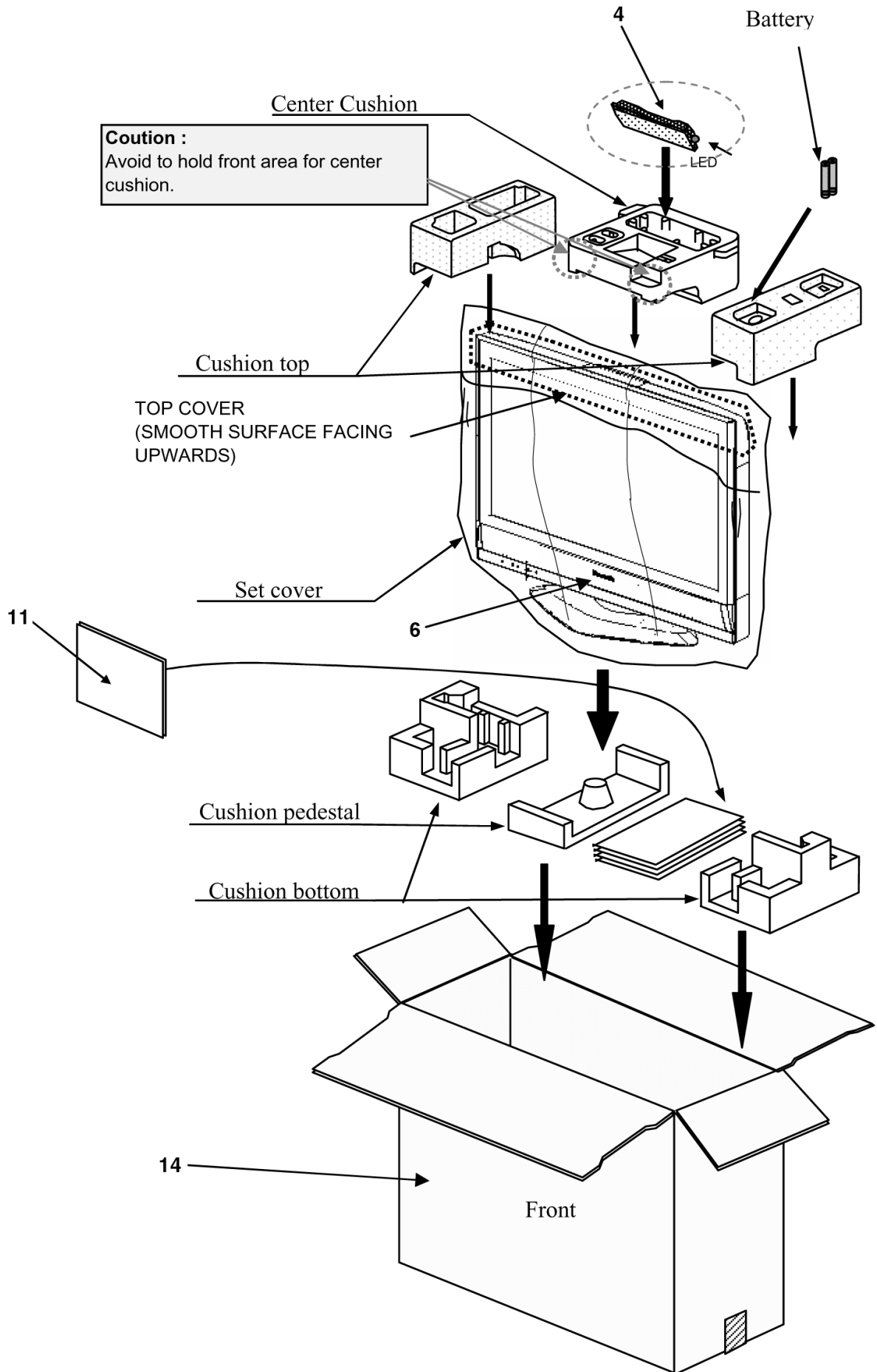


12 Parts Location & Mechanical Replacement Parts List

12.1. Parts Location




13 Packing Exploded View



14 Electrical Replacement Parts List

Important Safety Notice

Components identified by  mark have special characteristics important for safety.
When replacing any of these components, use manufacturer's specified parts.

Note: Printed circuit board assembly with "NLA" is no longer available after production discontinuation of the complete set.

Abbreviation of part name and description

1. Resistor

Example :

ERD25TJ104 **C** 100K Ω , **J**, 1/4W
Type Allowance

2. Capacitor

Example :

ECKF1H103ZF **C** 0.01 μ F, **Z**, 50V
Type Allowance

Type	Allowance
C : Carbon	F : $\pm 1\%$
F : Fuse	G : $\pm 2\%$
M : Metal Oxide Metal Film	J : $\pm 5\%$ K : $\pm 10\%$
S : Solid	M : $\pm 20\%$
W : Wire Wound	

Type	Allowance
C: Carbon	C : $\pm 0.25\text{pF}$
E: Electrolytic	D : $\pm 0.5\text{pF}$
P: Polyester Polypropylene	F : $\pm 1\text{pF}$ G : $\pm 3\%$
T: Tantalum	J : $\pm 5\%$ K : $\pm 10\%$ L : $\pm 15\%$ M : $\pm 20\%$ P : $\pm 100\%$, -0% Z : $\pm 80\%$, -20%

14.1. Electrical Replacement Parts List

Ref. No.	Part No.	Part Name & Description	Remarks
	J0KG0000011	FERRITE CORE	
1	KORB0050011	CONTROL PANEL ASSY	
	K2CQ2YY00003	AC CORD	△
2	L0AA11C00009	SPEAKER	
3	L5EDD6Q00027	LCD PANEL	△
4	N2QAYB000043	REMOTE CONTROL	
5	TBM4G1593	MODEL NAME PLATE	△
6	TBMA216-1	PANASONIC BADGE	
7	TBX4G91300	POWER BUTTON	
	TKK4G8611	COVER	
8	TKK4G8613	LED PANEL	
9	TKP4G13571-1	TUNER COVER	
10	TKP4G13580	G BOARD BRACKET	
	TKP4G13600	POWER BUTTON BRACKET	
NLA	TNP4G400AG	V BOARD	△
NLA	TNP4G401AH	AP BOARD	△
NLA	TNP4G402AG	G BOARD	△
NLA	TNP4G404BU	P BOARD	△
NLA	TNP4G399DE	A BOARD	△
	TPD4G1191-1	CUSHION (TOP)	
	TPD4G2169	CUSHION (BOTTOM)	
	TPD4G5020	CUSHION (PEDESTAL)	
	TPD4G5022-2	CUSHION (CENTER)	
	TPE4G14037	SET COVER	
11	TQB4G5298	FAN BAG	
12	TTU4GA0038	BACK COVER	
13	TTY4GA0003	CABINET ASSY	
14	TXFPC010NPC	CARTON	
15	TXFUX010MSW	PEDESTAL ASSY	
	TXJ/A30MYJ-1	CONNECTOR LEAD (A3-SPEAKER)	
	TXJ/A80MPS	LVDS HARNESS	
	XTB4+18JFJK	SCREW	
	XTV3+10JFJK	SCREW	
	XYN4+F10FJ	SCREW	
	CAPACITORS		
C1003	ECEA1CKS220E	E 22UF, 16V	
C1006	ECEA0JKS470E	E 22UF, 16V	
C1007	ECJ1VB1H103K	C 0.01UF, K, 50V	
C1168	ECJ1VB1C104K	C 0.1UF, K, 16V	
C1181	ECJ0EB1H102K	C 1000PF, K, 50V	
C1182	ECJ0EB1H102K	C 1000PF, K, 50V	
C1185	ECJ0EB1H102K	C 1000PF, K, 50V	
C1186	ECJ0EB1H102K	C 1000PF, K, 50V	
C1822	F1G1A1040006	C 0.1UF, 10V	
C1828	EEEB1C470P	E 47UF, P, 16V	
C1831	F1G1A1040006	C 0.1UF, 10V	
C1834	ECJ2FB1C474K	C 0.47UF, K, 16V	
C1835	ECJ1VB1C563K	C 0.056UF, K, 16V	
C1836	ECJ1VB1C104K	C 0.1UF, K, 16V	
C1837	F1H1H103A013	C 0.01UF, 50V	
C1839	ECJ1VC1H101J	C 100PF, J, 50V	
C1840	ECJ1VF1A105Z	C 1UF, Z, 10V	
C1842	F1H0J1050013	C 1UF, 6.3V	
C1843	F1H0J1050013	C 1UF, 6.3V	
C1844	EEEB0G470R	E 47UF, 4V	
C1845	EEEB0G470R	E 47UF, 4V	
C1850	F1G1A1040006	C 0.1UF, 10V	
C1851	F1G1A1040006	C 0.1UF, 10V	
C1852	EEEB0G470R	E 47UF, 4V	
C1853	EEEB0G470R	E 47UF, 4V	
C1865	ECJ1VF1A105Z	C 1UF, Z, 10V	
C1866	ECJ1VF1A105Z	C 1UF, Z, 10V	
C1867	ECJ1VF1A105Z	C 1UF, Z, 10V	
C1868	ECJ1VF1A105Z	C 1UF, Z, 10V	
C1869	EEEB1C470P	E 47UF, 16V	
C1870	ECJ1VB1C104K	C 0.1UF, K, 16V	
C1871	EEEB1C470P	E 47UF, 16V	
C1872	ECJ1VB1C104K	C 0.1UF, K, 16V	
C2068	ECJ1VB1A105K	C 1UF, K, 10V	
C2101	ECJ1VB1E104K	C 0.1UF, K, 25V	

Ref. No.	Part No.	Part Name & Description	Remarks
C2102	ECJ2FB1E105K	C 1UF, K, 25V	
C2103	ECJ2FB1E105K	C 1UF, K, 25V	
C2106	ECJ2FB1E105K	C 1UF, K, 25V	
C2109	ECJ2FB1E105K	C 1UF, K, 25V	
C2110	ECJ1VB1E104K	C 0.1UF, K, 25V	
C2111	ECJ2FB1E105K	C 1UF, K, 25V	
C2112	ECJ1VB1E104K	C 0.1UF, K, 25V	
C2113	ECJ1VB1E104K	C 0.1UF, K, 25V	
C2114	ECJ1VB1E104K	C 0.1UF, K, 25V	
C2115	ECJ1VB1H153K	C 0.015UF, K, 50V	
C2116	ECJ1VB1E104K	C 0.1UF, K, 25V	
C2117	ECJ1VB1E104K	C 0.1UF, K, 25V	
C2118	ECJ1VB1H153K	C 0.015UF, K, 50V	
C2119	ECJ1VB1E104K	C 0.1UF, K, 25V	
C2120	ECJ1VB1E104K	C 0.1UF, K, 25V	
C2122	ECJ0EB1H102K	C 1000PF, K, 50V	
C2124	ECJ0EB1H102K	C 1000PF, K, 50V	
C2125	ECJ1VB1E104K	C 0.1UF, K, 25V	
C2126	ECJ1VB1C224K	C 0.22UF, K, 16V	
C2127	ECJ2FB1E225K	C 2.2UF, K, 25V	
C2128	ECJ1VB1C224K	C 0.22UF, K, 16V	
C2129	ECJ2FB1E225K	C 2.2UF, K, 25V	
C2130	F2A1C102A530	E 1000UF, 16V	
C2131	F2A1C102A530	E 1000UF, 16V	
C2132	ECJ1VB1H102K	C 1000PF, K, 50V	
C2133	ECJ1VB1H102K	C 1000PF, K, 50V	
C2138	ECJ1VB1E104K	C 0.1UF, K, 25V	
C2139	F2A1E1010073	E 100UF, 25V	
C2140	EEUFC1V221B	E 220UF, 35V	
C2141	F1H1H103A013	C 0.01UF, 50V	
C2142	EEEB0J101P	E 100UF, 6.3V	
C2143	EEEB0J101P	E 100UF, 6.3V	
C2144	F1H0J1050013	C 1UF, 6.3V	
C2145	EEEB1C470P	E 47UF, 16V	
C2146	ECJ2FB1E105K	C 1UF, K, 25V	
C2147	ECJ2FB1E105K	C 1UF, K, 25V	
C2162	ECJ2FB1E475M	C 4.7UF, 25V	
C2163	ECJ2FB1E475M	C 4.7UF, 25V	
C2172	EEEB0J101P	E 100UF, 6.3V	
C2173	F2A1C101A244	E 100UF, 16V	
C2178	ECJ0EB1H102K	C 1000UF, K, 50V	
C2179	ECJ0EB1H102K	C 1000UF, K, 50V	
C2180	ECJ1VB1C224K	C 0.22UF, K, 16V	
C2181	ECJ1VB1C224K	C 0.22UF, K, 16V	
C2223	F2A1E1010073	E 100UF, 25V	
C2367	EEEB1C101UP	E 100UF, 16V	
C3062	ECJ1VF1A105Z	C 1UF, Z, 10V	
C3064	F2A1A471A994	E 470UF, 10V	
C3065	ECJ1VB1C104K	C 0.1UF, K, 16V	
C3067	F1J0J1060004	C 10UF, 6.3V	
C3073	ECJ1VB1A105K	C 1UF, K, 10V	
C3076	ECJ1VB1A105K	C 1UF, K, 10V	
C3077	ECJ1VB1A105K	C 1UF, K, 10V	
C3200	ECJ1VB0J225K	C 2.2UF, K, 6.3V	
C3202	EEEB1C101UP	E 100UF, 16V	
C3203	ECJ1VB1C224K	C 0.22UF, K, 16V	
C3204	EEEB1C470P	E 47UF, 16V	
C3863	ECJ1VF1A105Z	C 1UF, Z, 10V	
C3866	ECA0JM101B	E 100UF, 6.3V	
C3867	ECJ1VB1C104K	C 0.1UF, K, 16V	
C3870	ECJ1VF1H104Z	C 0.1UF, Z, 50V	
C3873	ECJ1VB1C104K	C 0.1UF, K, 16V	
C3874	ECJ1VB1C104K	C 0.1UF, K, 16V	
C4001	ECJ1VB1C104K	C 0.1UF, K, 16V	
C4004	ECJ1VB1C104K	C 0.1UF, K, 16V	
C4005	ECJ1VB1C104K	C 0.1UF, K, 16V	
C4006	ECJ1VB1C104K	C 0.1UF, K, 16V	
C4007	ECJ1VB1C104K	C 0.1UF, K, 16V	
C4008	ECJ1VB1C104K	C 0.1UF, K, 16V	
C4009	F1J0J1060004	C 10UF, 6.3V	
C4013	ECJ1VB1C104K	C 0.1UF, K, 16V	

Ref. No.	Part No.	Part Name & Description	Remarks
C4014	ECJ1VB1C104K	C 0.1UF, K, 16V	
C4015	ECJ1VB1C104K	C 0.1UF, K, 16V	
C4016	ECJ1VB1C104K	C 0.1UF, K, 16V	
C4017	ECJ1VB1C104K	C 0.1UF, K, 16V	
C4018	ECJ1VB1C104K	C 0.1UF, K, 16V	
C4019	F1J0J1060004	C 10UF, 6.3V	
C4020	F1J0J1060004	C 10UF, 6.3V	
C4021	F1J0J1060004	C 10UF, 6.3V	
C4022	F1J0J1060004	C 10UF, 6.3V	
C4023	F1J0J1060004	C 10UF, 6.3V	
C4024	ECJ1VF1A105Z	C 1UF, Z, 10V	
C4025	ECJ1VB1C104K	C 0.1UF, K, 16V	
C4027	ECJ1VB1C104K	C 0.1UF, K, 16V	
C4029	ECJ1VB1C104K	C 0.1UF, K, 16V	
C4030	ECJ1VF1A105Z	C 1UF, Z, 10V	
C4031	ECJ1VB1C104K	C 0.1UF, K, 16V	
C4033	ECJ0EC1H101J	C 100PF, 50V	
C4034	F1G1A1040006	C 0.1UF, 10V	
C4035	F1G1A1040006	C 0.1UF, 10V	
C4036	ECJ1VB1A105K	C 1UF, K, 10V	
C4037	ECJ1VB1A105K	C 1UF, K, 10V	
C4038	ECJ1VB1A105K	C 1UF, K, 10V	
C4039	ECJ1VB1A105K	C 1UF, K, 10V	
C4040	ECJ1VB1A105K	C 1UF, K, 10V	
C4041	ECJ1VB1A105K	C 1UF, K, 10V	
C4042	F1G1A1040006	C 0.1UF, 10V	
C4043	ECJ1VB1A105K	C 1UF, K, 10V	
C4044	ECJ1VB1A105K	C 1UF, K, 10V	
C4045	F1G1A1040006	C 0.1UF, 10V	
C4046	F1G1A1040006	C 0.1UF, 10V	
C4049	F1G1A1040006	C 0.1UF, 10V	
C4050	F1G1A1040006	C 0.1UF, 10V	
C4051	ECJ1VB1C104K	C 0.1UF, K, 16V	
C4052	ECJ1VC1H560J	C 56PF, J, 50V	
C4053	ECJ1VC1H560J	C 56PF, J, 50V	
C4054	F1G1A1040006	C 0.1UF, 10V	
C4055	F1J0J1060004	C 10UF, 6.3V	
C4056	F1G1A1040006	C 0.1UF, 10V	
C4057	F1J0J1060004	C 10UF, 6.3V	
C4058	F1G1A1040006	C 0.1UF, 10V	
C4059	F1G1A1040006	C 0.1UF, 10V	
C4060	F1G1A1040006	C 0.1UF, 10V	
C4061	ECJ1VB1C104K	C 0.1UF, K, 16V	
C4062	F2A1C470A244	E 47UF, 16V	
C4064	F1G1A1040006	C 0.1UF, 10V	
C4065	ECJ0EB1H102K	C 1000UF, K, 50V	
C4066	F1G1A1040006	C 0.1UF, 10V	
C4067	F1G1A1040006	C 0.1UF, 10V	
C4068	F1J0J1060004	C 10UF, 6.3V	
C4071	ECJ1VC1H180J	C 18PF, J, 50V	
C4072	ECJ1VC1H180J	C 18PF, J, 50V	
C4074	F1G1A1040006	C 0.1UF, 10V	
C4075	F1J0J1060004	C 10UF, 6.3V	
C4076	F1G1A1040006	C 0.1UF, 10V	
C4077	F1G1A1040006	C 0.1UF, 10V	
C4078	F1G1A1040006	C 0.1UF, 10V	
C4079	ECJ1VB1C104K	C 0.1UF, K, 16V	
C4080	F1G1A1040006	C 0.1UF, 10V	
C4081	ECJ1VB1C104K	C 0.1UF, K, 16V	
C4082	F1G1A1040006	C 0.1UF, 10V	
C4083	ECJ0EB1H102K	C 1000UF, K, 50V	
C4084	F1G1A1040006	C 0.1UF, 10V	
C4085	F1G1A1040006	C 0.1UF, 10V	
C4086	F1G1A1040006	C 0.1UF, 10V	
C4087	F1G1A1040006	C 0.1UF, 10V	
C4088	F1G1A1040006	C 0.1UF, 10V	
C4089	F1G1A1040006	C 0.1UF, 10V	
C4090	F1G1A1040006	C 0.1UF, 10V	
C4091	F1G1A1040006	C 0.1UF, 10V	
C4092	F1G1A1040006	C 0.1UF, 10V	
C4093	F1G1A1040006	C 0.1UF, 10V	
C4094	F1G1A1040006	C 0.1UF, 10V	
C4095	F1J0J1060004	C 10UF, 6.3V	

Ref. No.	Part No.	Part Name & Description	Remarks
C4096	ECJ1VB1C104K	C 0.1UF, K, 16V	
C4097	F1G1A1040006	C 0.1UF, 10V	
C4098	ECJ1VB1H102K	C 1000PF, K, 50V	
C4099	F1J0J1060004	C 10UF, 6.3V	
C4100	F1G1A1040006	C 0.1UF, 10V	
C4101	F1G1A1040006	C 0.1UF, 10V	
C4102	F1J0J1060004	C 10UF, 6.3V	
C4103	ECJ0EC1H120J	C 12PF, J, 50V	
C4104	ECJ0EC1H220J	C 22PF, J, 50V	
C4105	ECJ0EC1H220J	C 22PF, J, 50V	
C4109	ECJ1VB1C104K	C 0.1UF, K, 16V	
C4110	ECJ2FB1A335K	C 3.3UF, K, 10V	
C4111	F1J0J1060004	C 10UF, 6.3V	
C4112	ECJ1VB1C104K	C 0.1UF, K, 16V	
C4114	EEFCD0G560ER	E 56UF, 4V	
C4115	EEFCD0G560ER	E 56UF, 4V	
C4117	ECJ1VC1H220J	C 22PF, J, 50V	
C4118	F1J0J1060004	C 10UF, 6.3V	
C4119	ECJ0EC1H560J	C 56PF, J, 50V	
C4120	ECJ1VC1H101J	C 100PF, J, 50V	
C4121	ECJ1VC1H101J	C 100PF, J, 50V	
C4122	ECJ1VF1C104Z	C 0.1UF, Z, 16V	
C4123	ECJ1VB1C104K	C 0.1UF, K, 16V	
C4125	F4Z0G6860002	C 68UF, 4V	
C4127	F1J0J1060004	C 10UF, 6.3V	
C4128	F2H1C470A009	E 47UF, 16V	
C4129	F1J0J1060004	C 10UF, 6.3V	
C4130	ECJ1VC1H120J	C 12PF, J, 50V	
C4131	ECJ1VC1H120J	C 12PF, J, 50V	
C4132	ECJ1VB1H102K	C 1000PF, K, 50V	
C4133	F1G1A1040006	C 0.1UF, 10V	
C4134	ECJ1VB0J105K	C 1UF, K, 6.3V	
C4135	F1H1H103A013	C 0.01UF, 50V	
C4148	ECJ2FB0J106M	C 10UF, J, 6.3V	
C4149	ECJ2FB0J106M	C 10UF, J, 6.3V	
C4150	ECJ1VB1C104K	C 0.1UF, K, 16V	
C4151	ECJ1VB1C104K	C 0.1UF, K, 16V	
C4152	ECJ1VB1C104K	C 0.1UF, K, 16V	
C4182	ECJ2FB0J106M	C 10UF, J, 6.3V	
C4183	ECJ2FB0J106M	C 10UF, J, 6.3V	
C4331	F2G1C100A022	E 10UF, 16V	
C4332	ECJ1VB1C104K	C 0.1UF, K, 16V	
C4501	F1G1A1040006	C 0.1UF, 10V	
C4502	F2A1C470A244	E 47UF, 16V	
C4807	ECJ1VB1C104K	C 0.1UF, K, 16V	
C4808	ECJ1VB1C104K	C 0.1UF, K, 16V	
C5001	F1G1A1040006	C 0.1UF, 10V	
C5002	F1G1A1040006	C 0.1UF, 10V	
C5003	F1G1A1040006	C 0.1UF, 10V	
C5004	F1G1A1040006	C 0.1UF, 10V	
C5005	ECJ1VF1A105Z	C 1UF, Z, 10V	
C5006	ECJ1VF1A105Z	C 1UF, Z, 10V	
C5007	ECJ1VF1C104Z	C 0.1UF, Z, 16V	
C5008	ECJ1VB1C104K	C 0.1UF, K, 16V	
C5009	F1J0J1060004	C 10UF, 6.3V	
C5010	F1J0J1060004	C 10UF, 6.3V	
C5011	ECJ1VB1C104K	C 0.1UF, K, 16V	
C5012	ECJ1VB1C104K	C 0.1UF, K, 16V	
C5016	F1J0J1060004	C 10UF, 6.3V	
C5017	ECJ1VB1C104K	C 0.1UF, K, 16V	
C5018	ECJ1VF1C104Z	C 0.1UF, Z, 16V	
C5019	F1G1A1040006	C 0.1UF, 10V	
C5020	ECJ1VF1C104Z	C 0.1UF, Z, 16V	
C5021	ECJ1VF1H103Z	C 0.01UF, Z, 50V	
C5022	ECJ1VF1C104Z	C 0.1UF, Z, 16V	
C5023	ECJ1VF1H103Z	C 0.01UF, Z, 50V	
C5024	F1G1A1040006	C 0.1UF, 10V	
C5025	F1G1A1040006	C 0.1UF, 10V	
C5026	F1J0J1060004	C 10UF, 6.3V	
C5027	ECJ1VF1C104Z	C 0.1UF, Z, 16V	
C5028	F1G1A1040006	C 0.1UF, 10V	
C5029	ECJ1VB1C104K	C 0.1UF, K, 16V	
C5030	ECJ1VC1H150J	C 15PF, J, 50V	

Ref. No.	Part No.	Part Name & Description	Remarks
C5031	F1G1A1040006	C 0.1UF, 10V	
C5032	ECJ1VB1C104K	C 0.1UF, K, 16V	
C5033	F1G1A1040006	C 0.1UF, 10V	
C5034	ECJ1VC1H150J	C 15PF, J, 50V	
C5036	ECJ1VF1C104Z	C 0.1UF, Z, 16V	
C5038	F1G1A1040006	C 0.1UF, 10V	
C5040	F1G1A1040006	C 0.1UF, 10V	
C5041	F1G1A1040006	C 0.1UF, 10V	
C5042	F1J0J1060004	C 10UF, 6.3V	
C5043	ECJ1VB1C104K	C 0.1UF, K, 16V	
C5044	ECJ1VB1C104K	C 0.1UF, K, 16V	
C5045	ECJ1VB1C104K	C 0.1UF, K, 16V	
C5046	ECJ1VB1C104K	C 0.1UF, K, 16V	
C5047	ECJ1VB1C104K	C 0.1UF, K, 16V	
C5048	ECJ1VB1C104K	C 0.1UF, K, 16V	
C5049	ECJ2FB0J225K	C 2.2UF, K, 6.3V	
C5050	ECJ1VC1H471J	C 470PF, J, 50V	
C5051	F1H0J1050013	C 1UF, J, 6.3V	
C5054	ECJ1VC1H101J	C 100PF, J, 50V	
C5055	F1G1A1040006	C 0.1UF, 10V	
C5056	ECJ1VF1C104Z	C 0.1UF, Z, 16V	
C5060	ECJ1VB1C104K	C 0.1UF, K, 16V	
C5061	ECJ1VB1C104K	C 0.1UF, K, 16V	
C801	F0CAF224A066	P 0.22UF, 250V	△
C802	F0CAF224A066	P 0.22UF, 250V	△
C807	ECKCNA102MB7	C 1000PF, M,	△
C808	ECKCNA471MB7	C 470PF, M,	△
C809	ECKCNA471MB7	C 470PF, M,	△
C810	ECKR3A102KBP	C 1000PF, K, 1KV	
C811	ECKR3A471KBP	C 470PF, K, 1KV	
C813	F2A1E102A223	E 1000UF, 25V	
C814	F2A1V1020043	E 1000UF, 35V	
C815	F2A1V1020043	E 1000UF, 35V	
C816	F2A1C102A252	E 1000UF, 16V	
C820	ECKCNA101MB7	C 100PF, M,	△
C821	ECKCNA101MB7	C 100PF, M,	△
C822	F0CAF684A066	P 0.68UF, 50V	
C830	F2B2W1510005	E 150UF, 450V	
C831	ECQE6103KF	P 0.01UF, K, 630V	
C833	F2A1H220A536	E 22UF, 50V	
C834	ECKW3D152KBP	C 1500PF, K, 2KV	
C835	ECQB1H121JF	P 120PF, J, 50V	
C836	ECQB1H121JF	P 120PF, J, 50V	
C837	F2A1H1R0A317	E 1UF, 50V	
C838	ECQB1H224JF	P 0.22UF, J, 50V	
C842	F2B2W1510005	E 150UF, 450V	
C881	ECQB1H103JF	P 0.01UF, 50V	
C882	L7Y5P4B222K	C 2200PF, K, 500V	
C883	F2A1H4R7B204	E 4.7UF, 50V	
C885	F2A2W2200020	E 22UF, 450V	
C886	F2A1A471A476	E 470UF, 10V	
C887	ECKR3A101KBP	C 100PF, K, 1KV	
C888	ECQB1H473JF	P 0.047UF, J, 50V	
C889	ECQE6103KF	P 0.01UF, K, 630V	
C890	ECQB1H681JF	P 680PF, J, 50V	
C901	ECJ1VB1H104K	C 0.1UF, K, 50V	
C902	ECJ1VB1H104K	C 0.1UF, K, 50V	
C909	F2A1H221A115	E 220UF, 50V	
C910	F2A1C471A537	E 470UF, 16V	
C911	F2A1C471A537	E 470UF, 16V	
C912	ECJ1VB1H104K	C 0.1UF, K, 50V	
C915	ECJ1VB1H104K	C 0.1UF, K, 50V	
C922	ECJ1VB1H104K	C 0.1UF, K, 50V	
C923	F2A1H221A115	E 220UF, 50V	
C924	ECJ1VB1H104K	C 0.1UF, K, 50V	
C926	ECJ1VB1H104K	C 0.1UF, K, 50V	
C927	ECJ1VB1H104K	C 0.1UF, K, 50V	
C928	ECJ1VB1E105K	C 0.1UF, K, 50V	
C929	ECJ1VB1H104K	C 0.1UF, K, 50V	
C930	ECJ1VB1E105K	C 0.1UF, K, 50V	
C931	ECJ1VB1E105K	C 0.1UF, K, 50V	
C934	ECJ1VB1H104K	C 0.1UF, K, 50V	
C935	F2A1E221A225	E 220UF, 25V	

Ref. No.	Part No.	Part Name & Description	Remarks
C936	ECJ1VB1H104K	C 0.1UF, K, 50V	
C938	F1H1H103A013	C 0.01UF, K, 50V	
C939	F2A1C471A537	E 470UF, 16V	
C940	ECJ1VB1H104K	C 0.1UF, K, 50V	
C941	ECJ1VB1H104K	C 0.1UF, K, 50V	
C942	F2A1E221A487	E 220UF, 25V	
C943	ECJ1VB1H104K	C 0.1UF, K, 50V	
C945	F1H1H103A013	C 0.01UF, K, 50V	
C947	ECJ1VB1H104K	C 0.1UF, K, 50V	
C948	F2A1C471A537	E 470UF, 16V	
C950	ECJ1VB1H104K	C 0.1UF, K, 50V	
C951	ECJ1VB1H104K	C 0.1UF, K, 50V	
C952	ECJ1VB1H104K	C 0.1UF, K, 50V	
C954	ECJ1VB1H104K	C 0.1UF, K, 50V	
C956	ECJ1VB1H104K	C 0.1UF, K, 50V	
C961	ECJ1VB1H104K	C 0.1UF, K, 50V	
C962	ECJ1VB1H104K	C 0.1UF, K, 50V	
C963	ECJ1VB1H104K	C 0.1UF, K, 50V	
C964	ECJ1VB1H104K	C 0.1UF, K, 50V	
C965	ECJ1VB1H102K	C 1000PF, K, 50V	
C966	ECJ1VB1H104K	C 0.1UF, K, 50V	
C967	ECJ1VB1H104K	C 0.1UF, K, 50V	
C974	F2A1C471A537	E 470UF, 16V	
C976	F2A1H221A115	E 220UF, 50V	
C981	F2A1C102A252	E 1000UF, 16V	
C982	F2A1C102A252	E 1000UF, 16V	
C985	ECJ1VB1H104K	C 0.1UF, K, 50V	
		DIODES	
D1001	B3CKE0000007	LED	
D1102	MA2J72900L	DIODE	
D1106	MAZ80620ML	DIODE	
D1107	MAZ80620ML	DIODE	
D1108	MAZ80620ML	DIODE	
D1109	MAZ80620ML	DIODE	
D1110	MAZ80620ML	DIODE	
D1810	BOACCK000012	DIODE	
D1811	BOACCK000012	DIODE	
D1812	MAZ82700ML	DIODE	
D1813	BOACCK000012	DIODE	
D1814	MAZ80620LL	DIODE	
D1815	BOACCK000012	DIODE	
D1816	MAZ80750ML	DIODE	
D1817	BOACCK000012	DIODE	
D1818	MAZ81300ML	DIODE	
D1819	BOACCK000012	DIODE	
D1820	MAZ80560ML	DIODE	
D1821	BOACCK000012	DIODE	
D1822	MAZ80560ML	DIODE	
D1823	BOACCK000012	DIODE	
D1824	MAZ82700ML	DIODE	
D1825	BOACCK000012	DIODE	
D2001	MA3X704D0L	DIODE	
D2006	MAZ80470ML	DIODE	
D2301	BOACCK000012	DIODE	
D2304	BOACCK000012	DIODE	
D2305	BOACCK000012	DIODE	
D3001	MAZ81400ML	DIODE	
D3002	MAZ81400ML	DIODE	
D3003	MAZ81400ML	DIODE	
D3004	MAZ81400ML	DIODE	
D3005	MAZ81400ML	DIODE	
D3006	MAZ81400ML	DIODE	
D3007	MAZ81400ML	DIODE	
D3008	MAZ81400ML	DIODE	
D3009	MAZ81400ML	DIODE	
D3013	MAZ81400ML	DIODE	
D3014	MAZ81400ML	DIODE	
D3015	MAZ81400ML	DIODE	
D3016	MAZ81400ML	DIODE	
D3017	MAZ81400ML	DIODE	
D3018	MAZ81400ML	DIODE	
D3021	MAZ81400ML	DIODE	
D3022	MAZ81400ML	DIODE	

Ref. No.	Part No.	Part Name & Description	Remarks
D3023	MAZ81400ML	DIODE	
D3024	MAZ81400ML	DIODE	
D3025	MAZ81400ML	DIODE	
D3026	MAZ81400ML	DIODE	
D3027	MAZ81400ML	DIODE	
D3028	MAZ81400ML	DIODE	
D3031	MAZ81400ML	DIODE	
D3032	MAZ81400ML	DIODE	
D3033	MAZ81400ML	DIODE	
D3200	MAZ81500ML	DIODE	
D3203	B0ACCK000012	DIODE	
D3204	B0ACCK000012	DIODE	
D3205	B0ACCK000012	DIODE	
D3206	B0ACCK000012	DIODE	
D3207	B0ACCK000012	DIODE	
D3208	B0ACCK000012	DIODE	
D3209	B0ACCK000012	DIODE	
D3210	B0ACCK000012	DIODE	
D3211	B0ACCK000012	DIODE	
D3215	B0ACCK000012	DIODE	
D3216	B0ACCK000012	DIODE	
D3217	B0ACCK000012	DIODE	
D3219	MA2J72900L	DIODE	
D3501	MAZ81400ML	DIODE	
D3502	MAZ81400ML	DIODE	
D3503	MAZ81400ML	DIODE	
D3504	MAZ81400ML	DIODE	
D3506	MAZ81400ML	DIODE	
D3507	MAZ81400ML	DIODE	
D3508	MAZ81400ML	DIODE	
D3509	MAZ81400ML	DIODE	
D3510	MAZ81400ML	DIODE	
D3511	MAZ81400ML	DIODE	
D3512	MAZ81400ML	DIODE	
D3513	MAZ81400ML	DIODE	
D4015	B0JCDD000002	DIODE	
D4121	B0ACCK000012	DIODE	
D5001	EZJZ0V80008B	VARISTOR	
D5002	EZJZ0V80008B	VARISTOR	
D5003	EZJZ0V80008B	VARISTOR	
D5004	EZJZ0V80008B	VARISTOR	
D5005	EZJZ0V80008B	VARISTOR	
D5006	EZJZ0V80008B	VARISTOR	
D5007	EZJZ0V80008B	VARISTOR	
D5008	EZJZ0V80008B	VARISTOR	
D5009	EZJZ0V80008B	VARISTOR	
D5010	EZJZ0V80008B	VARISTOR	
D5011	EZJZ1V800AA	VARISTOR	
D5012	EZJZ0V80008B	VARISTOR	
D5013	EZJZ0V80008B	VARISTOR	
D5014	EZJZ1V800AA	VARISTOR	
D5015	EZJZ1V800AA	VARISTOR	
D5016	EZJZ0V80008B	VARISTOR	
D5017	EZJZ1V800AA	VARISTOR	
D5018	EZJZ0V80008B	VARISTOR	
D5019	EZJZ0V80008B	VARISTOR	
D5020	EZJZ0V80008B	VARISTOR	
D5021	B0HCMM000014	DIODE	
D5022	B0HCMM000014	DIODE	
D5023	MA2J72800L	DIODE	
D5026	B0HCMM000014	DIODE	
D5027	B0HCMM000014	DIODE	
D801	ERZV10V621CS	VARISTOR	⚠
D802	B0FBAT000014	DIODE	
D810	B0HBSM000053	DIODE	
D811	B0HANM000032	DIODE	
D812	B0HFRJ000012	DIODE	
D820	B0AACK000004	DIODE	
D821	B0HALN000001	DIODE	
D832	B0EAKT000018	DIODE	
D833	B0HAJL000003	DIODE	
D834	B0BA6R800025	ZENER DIODE	
D835	B0BA8R000010	DIODE	

Ref. No.	Part No.	Part Name & Description	Remarks
D840	B0HAJL000003	DIODE	
D841	B0BA05600010	DIODE	
D842	B0HAJL000003	DIODE	
D843	B0HAJL000003	DIODE	
D880	MTZJ5.6B	ZENER DIODE	
D881	B0HAJL000003	DIODE	
D882	MTZJ24A	ZENER DIODE	
D883	B0HAJL000003	DIODE	
D884	B0HAJL000003	DIODE	
D885	MTZJ36D	ZENER DIODE	
D886	MTZJ36D	ZENER DIODE	
D887	ERZV10V621CS	VARISTOR	⚠
D888	B0BA04200005	DIODE	
D889	ERZV10V621CS	VARISTOR	
D891	B0JAPK000011	DIODE	
D892	B0HAGV000004	DIODE	
D895	B0EBKT000007	DIODE	
D904	B0JCME000037	DIODE	
D907	B0JCME000037	DIODE	
D908	B0JCME000037	DIODE	
D909	B0HCMM000014	DIODE	
D910	B0HCMM000014	DIODE	
D913	B0JCME000037	DIODE	
D919	B0JCPG000005	DIODE	
D922	B0JANE000006	DIODE	
D923	B0JANE000006	DIODE	
D924	B0BC01000044	DIODE	
		INTEDGRATED CIRCUITS	
IC1102	TVR4GAS675	EEPROM IC	
IC1803	C0EBF0000354	IC, RESET	
IC1804	C0CBCYE00001	IC	
IC1805	C0DBAFF00026	IC, POWER SUPPLY	
IC2001	C1AB00002474	IC	
IC2005	C1BB00000947	IC	
IC4001	TVR4G36-3	ROM IC	
IC4003	C1ZBZ0003426	IC	
IC4004	C1ZBZ0003191	IC	
IC4005	C0ABFA000012	IC	
IC4006	C0JBAZ002205	IC, LOGIC	
IC5001	TVR4GAS652	EEPROM IC	
IC5002	TVR4GAS653	EEPROM IC	
IC5004	C1AB00002848	IC	
IC5005	C0DBFFD00003	IC, POWER SUPPLY	
IC811	C0EAS0000004	IC, RESET	
IC830	C5HABZZ00138	IC, HYBRID	
IC880	C0DABY000008	IC, POWER SUPPLY	
IC881	AN1431T-TA	IC	
IC902	C0DAAZH00020	IC, POWER SUPPLY	
IC903	C0DAEJG00001	IC, POWER SUPPLY	
IC904	C0DAAZG00014	IC, POWER SUPPLY	
IC905	C0DAAZG00014	IC, POWER SUPPLY	
IC906	C0DAAZG00014	IC, POWER SUPPLY	
		COILS	
L1805	J0JHC0000078	BEAD CORE	
L1806	J0JHC0000078	BEAD CORE	
L2001	G0A100ZA0033	COIL	
L2002	G0A100ZA0033	COIL	
L2003	J0JHC0000078	BEAD CORE	
L2005	J0JHC0000078	BEAD CORE	
L3800	J0JHC0000078	BEAD CORE	
L3801	G0C101K00023	COIL	
L3802	J0JCC0000241	BEAD CORE	
L3803	J0JCC0000241	BEAD CORE	
L4001	J0JHC0000078	BEAD CORE	
L4002	J0JHC0000078	BEAD CORE	
L4003	J0JHC0000078	BEAD CORE	
L4004	J0JHC0000078	BEAD CORE	
L4005	J0JHC0000078	BEAD CORE	
L4006	J0JHC0000078	BEAD CORE	
L4007	J0JHC0000078	BEAD CORE	
L4008	J0JHC0000078	BEAD CORE	
L4009	J0JHC0000078	BEAD CORE	

Ref. No.	Part No.	Part Name & Description	Remarks
L4010	J0JHC0000078	BEAD CORE	
L4011	J0JHC0000078	BEAD CORE	
L4012	J0JHC0000078	BEAD CORE	
L4014	J0JHC0000078	BEAD CORE	
L4015	J0JHC0000078	BEAD CORE	
L4016	ELJFA6R8KFB	CHIP INDUCTOR	
L4017	J0JCC0000241	BEAD CORE	
L4018	J0JCC0000241	BEAD CORE	
L4020	J0JHC0000078	BEAD CORE	
L4022	J0JHC0000078	BEAD CORE	
L4502	J0JHC0000078	BEAD CORE	
L4904	J0JHC0000078	BEAD CORE	
L5003	J0JHC0000078	BEAD CORE	
L5004	J0JHC0000078	BEAD CORE	
L5005	J0JHC0000078	BEAD CORE	
L5006	J0JHC0000078	BEAD CORE	
L5007	J0JHC0000078	BEAD CORE	
L5009	J0JHC0000078	BEAD CORE	
L5010	J0JBC0000080	BEADS CORE	
L5011	J0JHC0000078	BEAD CORE	
L5012	J0JHC0000078	BEAD CORE	
L5013	J0JHC0000078	BEAD CORE	
L801	ETQR45T036A	CHOKE COIL	
L811	EXCELSA39V	BEAD CORE	
L835	J0JKA0000025	BEAD CORE	
L837	J0JKA0000038	BEAD CORE	
L901	J0JKB0000034	EMI FILTER	
L904	G0C101K00041	COIL	
L911	G0A101ZA0034	COIL	
L913	G0C101K00023	COIL	
L915	G0A101ZA0041	COIL	
L918	J0JKB0000034	EMI FILTER	
L921	J0JKB0000034	EMI FILTER	
L922	G0A101ZA0041	COIL	
L930	J0JKB0000034	EMI FILTER	
		TRANSISTORS	
Q1002	2SA207700L	TRANSISTOR	
Q1004	2SA207700L	TRANSISTOR	
Q1006	2SC584500L	TRANSISTOR	
Q1007	2SC584500L	TRANSISTOR	
Q1217	2SA207700L	TRANSISTOR	
Q1218	2SC584500L	TRANSISTOR	
Q1801	B1DHDC000028	TRANSISTOR	
Q1802	UNR521100L	TRANSISTOR	
Q1803	2SC584500L	TRANSISTOR	
Q1804	2SA207700L	TRANSISTOR	
Q1805	2SA207700L	TRANSISTOR	
Q1806	2SC584500L	TRANSISTOR	
Q2019	UNR521100L	TRANSISTOR	
Q2020	UNR521100L	TRANSISTOR	
Q2031	B1CBHD000002	TRANSISTOR	
Q2032	B1CBHD000002	TRANSISTOR	
Q2303	2SD0601A0L	TRANSISTOR	
Q2305	2SA207700L	TRANSISTOR	
Q2306	2SA207700L	TRANSISTOR	
Q2312	2SD0601A0L	TRANSISTOR	
Q2313	2SC584500L	TRANSISTOR	
Q3001	2SC584500L	TRANSISTOR	
Q3002	2SA207700L	TRANSISTOR	
Q3003	2SC584500L	TRANSISTOR	
Q3005	2SC584500L	TRANSISTOR	
Q3006	2SC584500L	TRANSISTOR	
Q3007	2SA207700L	TRANSISTOR	
Q3200	2SC584500L	TRANSISTOR	
Q3201	2SC584500L	TRANSISTOR	
Q3202	2SC584500L	TRANSISTOR	
Q3203	2SC584500L	TRANSISTOR	
Q3204	2SA207700L	TRANSISTOR	
Q3205	2SD0602ASL	TRANSISTOR	
Q3801	2SA207700L	TRANSISTOR	
Q3806	2SC584500L	TRANSISTOR	
Q3807	2SC584500L	TRANSISTOR	
Q4001	2SC584500L	TRANSISTOR	

Ref. No.	Part No.	Part Name & Description	Remarks
Q4002	2SA207700L	TRANSISTOR	
Q4003	2SA207700L	TRANSISTOR	
Q4020	2SC584500L	TRANSISTOR	
Q4021	2SC584500L	TRANSISTOR	
Q4049	2SC584500L	TRANSISTOR	
Q4050	2SA207700L	TRANSISTOR	
Q4120	UNR521100L	TRANSISTOR	
Q4121	UNR521100L	TRANSISTOR	
Q4330	2SD0601A0L	TRANSISTOR	
Q4501	2SC584500L	TRANSISTOR	
Q4502	2SC584500L	TRANSISTOR	
Q5001	2SC584500L	TRANSISTOR	
Q5002	2SC584500L	TRANSISTOR	
Q5003	2SC584500L	TRANSISTOR	
Q5004	2SC584500L	TRANSISTOR	
Q5008	B1MBACA00008	TRANSISTOR	
Q5009	B1MBACA00008	TRANSISTOR	
Q5019	2SC584500L	TRANSISTOR	
Q5020	2SC584500L	TRANSISTOR	
Q5021	2SC584500L	TRANSISTOR	
Q5022	UNR521100L	TRANSISTOR	
Q5023	B1MBACA00008	TRANSISTOR	
Q5024	2SC584500L	TRANSISTOR	
Q5025	UNR521100L	TRANSISTOR	
Q820	2SC1318	TRANSISTOR	
Q822	2SC3311A	TRANSISTOR	
Q880	2SA10180QA	TRANSISTOR	
Q900	B1ABCE000015	TRANSISTOR	
Q902	B1ABCE000015	TRANSISTOR	
Q903	B1ABCE000015	TRANSISTOR	
Q904	B1ABCE000015	TRANSISTOR	
Q905	B1ABCE000015	TRANSISTOR	
Q906	B1ABCE000015	TRANSISTOR	
		RESISTORS	
R1002	ERJ3GEYJ473	M 47KOHM, J, 1/16W	
R1003	ERJ3GEYJ102	M 1KOHM, J, 1/16W	
R1006	ERJ3GEYJ221	M 220OHM, J, 1/16W	
R1008	ERJ3GEYJ473	M 47KOHM, J, 1/16W	
R1010	ERJ3GEYJ473	M 47KOHM, J, 1/16W	
R1015	ERJ3GEYJ103	M 10KOHM, J, 1/16W	
R1017	ERJ3GEYJ103	M 10KOHM, J, 1/16W	
R1019	ERJ3GEYJ103	M 10KOHM, J, 1/16W	
R1020	ERJ3GEYJ103	M 10KOHM, J, 1/16W	
R1022	ERJ3GEYJ152	M 1.5KOHM, J, 1/16W	
R1024	ERJ3GEY0R00	M 0OHM, J, 1/16W	
R1025	ERJ3GEYJ273	M 27KOHM, J, 1/16W	
R1026	ERJ3GEYJ273	M 27KOHM, J, 1/16W	
R1028	ERJ3GEYJ470	M 47OHM, J, 1/16W	
R1029	ERJ3GEYJ102	M 1KOHM, J, 1/16W	
R1167	ERJ3GEY0R00	M 0OHM, J, 1/16W	
R1171	ERJ3GEYJ220	M 220OHM, J, 1/16W	
R1172	ERJ3GEYJ220	M 220OHM, J, 1/16W	
R1173	ERJ3GEYJ473	M 47KOHM, J, 1/16W	
R1174	ERJ3GEYJ101	M 100OHM, J, 1/16W	
R1175	ERJ3GEYJ101	M 100OHM, J, 1/16W	
R1176	ERJ3GEYJ101	M 100OHM, J, 1/16W	
R1177	ERJ3GEYJ101	M 100OHM, J, 1/16W	
R1236	ERJ3GEYJ103	M 10KOHM, J, 1/16W	
R1237	ERJ3GEYJ103	M 10KOHM, J, 1/16W	
R1238	ERJ3GEYJ103	M 10KOHM, J, 1/16W	
R1239	ERJ3GEYJ103	M 10KOHM, J, 1/16W	
R1240	ERJ3GEYJ473	M 47KOHM, J, 1/16W	
R1241	ERJ3GEYJ103	M 10KOHM, J, 1/16W	
R1242	ERJ3GEYJ223	M 22KOHM, J, 1/16W	
R1243	ERJ3GEYJ473	M 47KOHM, J, 1/16W	
R1246	ERJ3GEYJ332	M 3.3KOHM, J, 1/16W	
R1247	ERJ3GEYJ332	M 3.3KOHM, J, 1/16W	
R1248	ERJ3GEYJ562	M 5.6KOHM, J, 1/16W	
R1700	ERJ3GEYJ103	M 10KOHM, J, 1/16W	
R1701	ERJ3GEYJ393	M 39KOHM, J, 1/16W	
R1702	ERJ3GEYJ393	M 39KOHM, J, 1/16W	
R1811	DOG103JA017	F 10KOHM, J, 1/16W	
R1812	ERJ3GEYJ333	M 33KOHM, J, 1/16W	

Ref. No.	Part No.	Part Name & Description	Remarks
R1813	ERJ3GEYJ472	M 4.7KOHM, J, 1/16W	
R1814	ERJ3GEY0R00	M 0OHM, J, 1/16W	
R1815	D0GD103JA017	F 10KOHM, J, 1/16W	
R1816	ERJ3GEYJ223	M 22KOHM, J, 1/16W	
R1818	ERJ3GEYJ102	M 1KOHM, J, 1/16W	
R1819	ERJ3EKF5231	M5.23KOHM, 1/16W	
R1820	ERJ3EKF2202	M 22KOHM, F, 1/16W	
R1823	ERJ3GEYJ473	M 47KOHM, J, 1/16W	
R1824	ERJ3GEYJ103	M 10KOHM, J, 1/16W	
R1825	ERJ3GEYJ473	M 47KOHM, J, 1/16W	
R1826	ERJ3GEYJ103	M 10KOHM, J, 1/16W	
R1827	ERJ3GEYJ472	M 4.7KOHM, J, 1/16W	
R1828	ERJ3GEYJ472	M 4.7KOHM, J, 1/16W	
R1829	ERJ3GEYJ472	M 4.7KOHM, J, 1/16W	
R1830	ERJ3GEYJ472	M 4.7KOHM, J, 1/16W	
R1831	ERJ3GEYJ102	M 1KOHM, J, 1/16W	
R1832	ERJ3GEYJ102	M 1KOHM, J, 1/16W	
R1834	ERJ3GEY0R00	M 0OHM, J, 1/16W	
R2096	ERJ2GEJ103X	F 10KOHM, J, 1/16W	
R2097	ERJ2GEJ393X	F 10KOHM, J, 1/16W	
R2098	ERJ3EKF3902	M 39KOHM, F, 1/16W	
R2099	ERJ3GEYJ100	M 10OHM, J, 1/16W	
R2100	ERJ3GEYJ100	M 10OHM, J, 1/16W	
R2101	ERJ3GEYJ220	M 22OHM, J, 1/16W	
R2102	ERJ3GEYJ220	M 22OHM, J, 1/16W	
R2103	ERJ3GEYJ472	M 4.7KOHM, J, 1/16W	
R2104	ERJ3GEYJ472	M 4.7KOHM, J, 1/16W	
R2105	ERJ3GEYJ472	M 4.7KOHM, J, 1/16W	
R2106	ERJ3GEYJ472	M 4.7KOHM, J, 1/16W	
R2107	ERJ3GEYJ153	M 15KOHM, J, 1/16W	
R2108	ERJ3GEYJ153	M 15KOHM, J, 1/16W	
R2109	ERJ3GEYJ103	M 10KOHM, J, 1/16W	
R2111	ERJ3GEYJ103	M 10KOHM, J, 1/16W	
R2112	ERJ2GEJ104X	F 100KOHM, J, 1/16W	
R2113	ERJ2GEJ104X	F 100KOHM, J, 1/16W	
R2114	ERJ2GEJ154X	F 150KOHM, J, 1/16W	
R2115	ERJ2GEJ393X	F 39KOHM, J, 1/16W	
R2118	ERJ3GEY0R00	M 0OHM, J, 1/16W	
R2120	ERJ2GE0R00X	F 0OHM, J, 1/10W	
R2121	ERJ2GEJ104X	F 100KOHM, J, 1/16W	
R2122	ERJ2GEJ154X	F 150KOHM, J, 1/16W	
R2139	ERJ2GEJ103X	F 10KOHM, J, 1/16W	
R2140	ERJ2GEJ103X	F 10KOHM, J, 1/16W	
R2148	ERJ3GEYJ682	M 6.8KOHM, J, 1/16W	
R2149	ERJ3GEYJ682	M 6.8KOHM, J, 1/16W	
R2152	ERJ2GEJ104X	F 100KOHM, J, 1/16W	
R2153	ERJ2GEJ104X	F 100KOHM, J, 1/16W	
R2154	ERJ2GEJ104X	F 100KOHM, J, 1/16W	
R2155	ERJ3GEYJ105	M 1MOHM, J, 1/16W	
R2156	ERJ3GEYJ105	M 1MOHM, J, 1/16W	
R2159	ERJ2GEJ104X	F 100KOHM, J, 1/16W	
R2160	ERJ2GEJ104X	F 100KOHM, J, 1/16W	
R2303	ERJ2GEJ103X	F 10KOHM, J, 1/16W	
R2304	ERJ2GEJ103X	F 10KOHM, J, 1/16W	
R2306	ERJ2GEJ104X	F 100KOHM, J, 1/16W	
R2307	ERJ2GEJ103X	F 10KOHM, J, 1/16W	
R2308	ERJ3GEYJ104	M 100KOHM, J, 1/16W	
R2310	ERJ3GEYJ222	M 2.2KOHM, J, 1/16W	
R2313	ERJ2GEJ104X	F 100KOHM, J, 1/16W	
R2314	ERJ2GEJ105X	F 1MOHM, J, 1/16W	
R2381	ERJ2GEJ102X	F 1KOHM, J, 1/16W	
R2382	ERJ2GEJ104X	F 100KOHM, J, 1/16W	
R2383	ERJ2GEJ103X	F 10KOHM, J, 1/16W	
R3001	ERJ3GEYJ184	M 180KOHM, J, 1/16W	
R3002	ERJ3GEYJ184	M 180KOHM, J, 1/16W	
R3003	ERJ6ENF75R0	M 75OHM, 1/10W	
R3004	ERJ6ENF75R0	M 75OHM, 1/10W	
R3005	ERJ6ENF75R0	M 75OHM, 1/10W	
R3006	ERJ3GEYJ184	M 180KOHM, J, 1/16W	
R3007	ERJ3GEYJ184	M 180KOHM, J, 1/16W	
R3010	ERJ6ENF75R0	M 75OHM, 1/10W	
R3011	ERJ3GEYJ184	M 180KOHM, J, 1/16W	
R3012	ERJ3GEYJ184	M 180KOHM, J, 1/16W	

Ref. No.	Part No.	Part Name & Description	Remarks
R3013	ERJ6ENF75R0	M 75OHM, 1/10W	
R3014	ERJ6ENF75R0	M 75OHM, 1/10W	
R3015	ERJ6ENF75R0	M 75OHM, 1/10W	
R3019	ERJ6ENF75R0	M 75OHM, 1/10W	
R3020	ERJ3GEYJ431	M 430OHM, J, 1/16W	
R3021	ERJ3GEYJ431	M 430OHM, J, 1/16W	
R3022	D0GD331JA017	F 330OHM, J, 1/16W	
R3023	D0GD471JA017	F 470OHM, J, 1/16W	
R3024	D0GD271JA017	F 270OHM, J, 1/16W	
R3026	ERJ3GEYJ473	M 47KOHM, J, 1/16W	
R3027	ERJ3GEYJ393	M 39KOHM, J, 1/16W	
R3030	ERJ2GE0R00X	F 0OHM, J, 1/10W	
R3034	ERJ3GEYJ184	M 180KOHM, J, 1/16W	
R3035	ERJ3GEYJ101	M 100OHM, J, 1/16W	
R3036	ERJ3GEYJ101	M 100OHM, J, 1/16W	
R3037	ERJ3GEYJ101	M 100OHM, J, 1/16W	
R3038	ERJ3GEYJ101	M 100OHM, J, 1/16W	
R3039	ERJ3GEYJ105	M 1MOHM, J, 1/16W	
R3040	ERJ3GEYJ274	M 270KOHM, J, 1/16W	
R3041	ERJ3GEYJ473	M 47KOHM, J, 1/16W	
R3042	ERJ3GEYJ102	M 1KOHM, J, 1/16W	
R3043	ERJ3GEYJ184	M 180KOHM, J, 1/16W	
R3045	ERJ3GEY0R00	M 0OHM, J, 1/16W	
R3049	ERJ3GEY0R00	M 0OHM, J, 1/16W	
R3050	ERJ3GEY0R00	M 0OHM, J, 1/16W	
R3051	ERJ3GEY0R00	M 0OHM, J, 1/16W	
R3052	ERJ3GEY0R00	M 0OHM, J, 1/16W	
R3053	ERJ3GEY0R00	M 0OHM, J, 1/16W	
R3100	ERJ3GEY0R00	M 0OHM, J, 1/16W	
R3101	ERJ3GEY0R00	M 0OHM, J, 1/16W	
R3102	ERJ3GEY0R00	M 0OHM, J, 1/16W	
R3103	ERJ3GEY0R00	M 0OHM, J, 1/16W	
R3104	ERJ3GEY0R00	M 0OHM, J, 1/16W	
R3105	ERJ3GEY0R00	M 0OHM, J, 1/16W	
R3106	ERJ3GEY0R00	M 0OHM, J, 1/16W	
R3107	ERJ3GEY0R00	M 0OHM, J, 1/16W	
R3108	ERJ3GEY0R00	M 0OHM, J, 1/16W	
R3109	ERJ3GEY0R00	M 0OHM, J, 1/16W	
R3110	ERJ3GEYJ102	M 1KOHM, J, 1/16W	
R3111	ERJ3GEY0R00	M 0OHM, J, 1/16W	
R3112	ERJ3GEYJ102	M 1KOHM, J, 1/16W	
R3116	ERJ3GEY0R00	M 0OHM, J, 1/16W	
R3117	ERJ3GEY0R00	M 0OHM, J, 1/16W	
R3118	ERJ3GEYJ102	M 1KOHM, J, 1/16W	
R3119	ERJ3GEY0R00	M 0OHM, J, 1/16W	
R3120	ERJ3GEYJ102	M 1KOHM, J, 1/16W	
R3121	ERJ3GEY0R00	M 0OHM, J, 1/16W	
R3122	ERJ3GEY0R00	M 0OHM, J, 1/16W	
R3123	ERJ3GEY0R00	M 0OHM, J, 1/16W	
R3124	ERJ3GEY0R00	M 0OHM, J, 1/16W	
R3128	ERJ3GEY0R00	M 0OHM, J, 1/16W	
R3129	ERJ3GEYJ102	M 1KOHM, J, 1/16W	
R3130	ERJ3GEYJ102	M 1KOHM, J, 1/16W	
R3200	ERJ3GEYJ103	M 10KOHM, J, 1/16W	
R3201	ERJ3GEYJ473	M 47KOHM, J, 1/16W	
R3203	ERJ3GEYJ103	M 10KOHM, J, 1/16W	
R3204	ERJ14YJ222U	F 2.2KOHM, J, 1/10W	
R3205	ERJ14YJ222U	F 2.2KOHM, J, 1/10W	
R3206	ERJ3GEYJ223	M 22KOHM, J, 1/16W	
R3207	ERJ3GEYJ332	M 3.3KOHM, J, 1/16W	
R3208	ERJ3GEYJ103	M 10KOHM, J, 1/16W	
R3209	ERJ3GEYJ473	M 47KOHM, J, 1/16W	
R3210	ERJ3GEYJ332	M 3.3KOHM, J, 1/16W	
R3215	ERJ3GEYJ103	M 10KOHM, J, 1/16W	
R3218	ERJ3GEYJ103	M 10KOHM, J, 1/16W	
R3221	ERJ3GEYJ103	M 10KOHM, J, 1/16W	
R3227	ERJ3GEYJ103	M 10KOHM, J, 1/16W	
R3229	ERJ3GEYJ153	M 15KOHM, J, 1/16W	
R3230	ERJ3GEYJ473	M 47KOHM, J, 1/16W	
R3231	ERJ3GEYJ103	M 10KOHM, J, 1/16W	
R3232	ERJ6GEY0R00	M 0OHM, J, 1/10W	
R3233	ERJ3GEYJ473	M 47KOHM, J, 1/16W	
R3234	ERJ3GEYJ222	M 2.2KOHM, J, 1/16W	

Ref. No.	Part No.	Part Name & Description	Remarks
R3235	ERJ3GEYJ152	M 1.5KOHM, J, 1/16W	
R3236	ERJ3GEYJ223	M 22KOHM, J, 1/16W	
R3237	ERJ3GEYJ473	M 47KOHM, J, 1/16W	
R3240	ERJ6ENF75R0	M 75OHM, 1/10W	
R3241	ERJ6ENF75R0	M 75OHM, 1/10W	
R3242	ERJ6ENF75R0	M 75OHM, 1/10W	
R3243	ERJ3GEYJ220	M 22OHM, J, 1/16W	
R3244	ERJ3GEYJ220	M 22OHM, J, 1/16W	
R3245	ERJ3GEYJ220	M 22OHM, J, 1/16W	
R3246	ERJ3GEYJ101	M 100OHM, J, 1/16W	
R3247	ERJ3GEYJ101	M 100OHM, J, 1/16W	
R3248	ERJ6GEYJ472	M 4.7KOHM, J, 1/10W	
R3249	ERJ6GEYJ472	M 4.7KOHM, J, 1/10W	
R3501	ERJ6GEY0R00	M 0OHM, J, 1/10W	
R3502	ERJ6ENF75R0	M 75OHM, 1/10W	
R3503	ERJ6GEY0R00	M 0OHM, J, 1/10W	
R3504	ERJ6GEY0R00	M 0OHM, J, 1/10W	
R3505	ERJ6ENF75R0	M 75OHM, 1/10W	
R3507	ERJ6GEY0R00	M 0OHM, J, 1/10W	
R3508	ERJ6GEY0R00	M 0OHM, J, 1/10W	
R3509	ERJ6ENF75R0	M 75OHM, 1/10W	
R3510	DOGD102JA017	F 1KOHM, J, 1/10W	
R3511	ERJ6GEY0R00	M 0OHM, J, 1/10W	
R3512	DOGD102JA017	F 1KOHM, J, 1/10W	
R3513	DOGD184JA017	F 1KOHM, J, 1/10W	
R3514	DOGD184JA017	F 1KOHM, J, 1/10W	
R3800	ERJ3GEYJ101	M 100OHM, J, 1/16W	
R3869	ERJ3GEYJ103	M 10KOHM, J, 1/16W	
R3879	ERJ3GEYJ221	M 22OHM, J, 1/16W	
R3882	ERJ3GEYJ102	M 1KOHM, J, 1/16W	
R3883	ERJ3GEYJ331	M 330OHM, J, 1/16W	
R3884	ERJ3GEY0R00	M 0OHM, J, 1/16W	
R3885	ERJ3GEY0R00	M 0OHM, J, 1/16W	
R3911	ERJ3GEYJ103	M 10KOHM, J, 1/16W	
R3912	ERJ3GEYJ332	M 3.3KOHM, J, 1/16W	
R3914	ERJ3GEYJ332	M 3.3KOHM, J, 1/16W	
R3915	ERJ3GEYJ122	M 1.2KOHM, J, 1/16W	
R3916	ERJ3GEYJ471	M 470OHM, J, 1/16W	
R3917	ERJ3GEYJ561	M 560OHM, J, 1/16W	
R3919	ERJ12Y0R00U	F 0OHM, J, 1/10W	
R4001	ERJ3GEYJ273	M 27KOHM, J, 1/16W	
R4003	ERJ3GEYJ102	M 1KOHM, J, 1/16W	
R4005	ERJ2GEJ103X	F 10KOHM, J, 1/10W	
R4007	ERJ3GEYJ101	M 100OHM, J, 1/16W	
R4008	ERJ3GEYJ101	M 100OHM, J, 1/16W	
R4009	EXB2HV104JV	RESISTOR ARRAY	
R4011	ERJ3GEYJ102	M 1KOHM, J, 1/16W	
R4012	ERJ3GEYJ101	M 100OHM, J, 1/16W	
R4014	ERJ3GEYJ101	M 100OHM, J, 1/16W	
R4015	ERJ2GEJ104X	F 100KOHM, J, 1/10W	
R4016	ERJ3GEYJ103	M 10KOHM, J, 1/16W	
R4017	ERJ3GEYJ103	M 10KOHM, J, 1/16W	
R4018	ERJ2GEJ473X	F 47KOHM, J, 1/10W	
R4019	ERJ3GEYJ473	M 47KOHM, J, 1/16W	
R4020	ERJ3GEYJ103	M 10KOHM, J, 1/16W	
R4021	ERJ3GEYJ103	M 10KOHM, J, 1/16W	
R4022	ERJ3GEYJ473	M 47KOHM, J, 1/16W	
R4023	ERJ3GEYJ101	M 100OHM, J, 1/16W	
R4025	ERJ3GEYJ101	M 100OHM, J, 1/16W	
R4026	ERJ3GEY0R00	M 0OHM, J, 1/16W	
R4028	ERJ3GEYJ220	M 22OHM, J, 1/16W	
R4031	ERJ3GEY0R00	M 0OHM, J, 1/16W	
R4032	ERJ3GEY0R00	M 0OHM, J, 1/16W	
R4034	ERJ3GEYJ101	M 100OHM, J, 1/16W	
R4038	ERJ2GEJ822X	F 8.2KOHM, J, 1/10W	
R4047	ERJ3GEYJ101	M 100OHM, J, 1/16W	
R4048	ERJ3GEYJ101	M 100OHM, J, 1/16W	
R4049	ERJ3GEYJ101	M 100OHM, J, 1/16W	
R4050	ERJ3GEYJ101	M 100OHM, J, 1/16W	
R4053	ERJ3GEYJ101	M 100OHM, J, 1/16W	
R4055	ERJ3GEYJ101	M 100OHM, J, 1/16W	
R4057	ERJ3GEYJ101	M 100OHM, J, 1/16W	
R4058	ERJ3GEYJ101	M 100OHM, J, 1/16W	

Ref. No.	Part No.	Part Name & Description	Remarks
R4059	ERJ3GEYJ101	M 100OHM, J, 1/16W	
R4061	ERJ3GEYJ220	M 22OHM, J, 1/16W	
R4062	ERJ3GEYJ102	M 1KOHM, J, 1/16W	
R4063	ERJ3GEYJ220	M 22OHM, J, 1/16W	
R4064	ERJ3GEYJ473	M 47KOHM, J, 1/16W	
R4065	ERJ3GEYJ220	M 22OHM, J, 1/16W	
R4066	ERJ3GEYJ101	M 100OHM, J, 1/16W	
R4069	ERJ3GEYJ101	M 100OHM, J, 1/16W	
R4071	ERJ3GEYJ103	M 10KOHM, J, 1/16W	
R4072	ERJ3GEYJ101	M 100OHM, J, 1/16W	
R4077	ERJ3GEYJ220	M 22OHM, J, 1/16W	
R4078	ERJ3GEYJ102	M 1KOHM, J, 1/16W	
R4079	ERJ3GEYJ101	M 100OHM, J, 1/16W	
R4080	ERJ3GEYJ220	M 22OHM, J, 1/16W	
R4081	ERJ3GEYJ101	M 100OHM, J, 1/16W	
R4082	ERJ3GEY0R00	M 0OHM, J, 1/16W	
R4089	ERJ3GEYJ151	M 150OHM, J, 1/16W	
R4092	ERJ3GEYJ102	M 1KOHM, J, 1/16W	
R4093	ERJ3GEYJ103	M 10KOHM, J, 1/16W	
R4094	ERJ3GEYJ151	M 150OHM, J, 1/16W	
R4097	ERJ3GEYJ151	M 150OHM, J, 1/16W	
R4098	ERJ3GEYJ151	M 150OHM, J, 1/16W	
R4099	ERJ3GEYJ151	M 150OHM, J, 1/16W	
R4100	ERJ3GEYJ151	M 150OHM, J, 1/16W	
R4101	ERJ3GEYJ103	M 10KOHM, J, 1/16W	
R4102	ERJ3GEYJ151	M 150OHM, J, 1/16W	
R4103	ERJ3GEYJ103	M 10KOHM, J, 1/16W	
R4104	ERJ3GEYJ332	M 3.3KOHM, J, 1/16W	
R4105	ERJ3GEYJ103	M 10KOHM, J, 1/16W	
R4106	ERJ3GEYJ103	M 10KOHM, J, 1/16W	
R4107	ERJ3GEYJ151	M 150OHM, J, 1/16W	
R4108	ERJ3GEYJ102	M 1KOHM, J, 1/16W	
R4109	ERJ3GEYJ151	M 150OHM, J, 1/16W	
R4110	ERJ3GEYJ102	M 1KOHM, J, 1/16W	
R4111	ERJ3GEYJ151	M 150OHM, J, 1/16W	
R4112	ERJ3GEY0R00	M 0OHM, J, 1/16W	
R4113	ERJ3GEYJ151	M 150OHM, J, 1/16W	
R4114	ERJ3GEYJ101	M 100OHM, J, 1/16W	
R4115	ERJ3GEYJ151	M 150OHM, J, 1/16W	
R4116	ERJ3GEYJ102	M 1KOHM, J, 1/16W	
R4117	ERJ3GEYJ151	M 150OHM, J, 1/16W	
R4118	ERJ3GEYJ471	M 470OHM, J, 1/16W	
R4119	ERJ3GEY0R00	M 0OHM, J, 1/16W	
R4120	ERJ3GEY0R00	M 0OHM, J, 1/16W	
R4121	ERJ3GEYJ562	M 5.6KOHM, J, 1/16W	
R4122	ERJ3GEY0R00	M 0OHM, J, 1/16W	
R4123	ERJ3GEYJ151	M 150OHM, J, 1/16W	
R4124	ERJ3GEY0R00	M 0OHM, J, 1/16W	
R4125	ERJ3GEYJ151	M 150OHM, J, 1/16W	
R4126	ERJ3GEYJ151	M 150OHM, J, 1/16W	
R4127	ERJ3GEYJ151	M 150OHM, J, 1/16W	
R4128	ERJ2GEJ103X	F 10KOHM, J, 1/10W	
R4129	ERJ3GEYJ182	M 1.8KOHM, J, 1/16W	
R4130	ERJ3GEY0R00	M 0OHM, J, 1/16W	
R4131	ERJ3GEYJ221	M 22OHM, J, 1/16W	
R4132	ERJ3GEYJ221	M 22OHM, J, 1/16W	
R4133	ERJ3GEY0R00	M 0OHM, J, 1/16W	
R4134	ERJ3GEYJ331	M 330OHM, J, 1/16W	
R4135	ERJ3GEYJ331	M 330OHM, J, 1/16W	
R4136	ERJ3GEYJ223	M 22KOHM, J, 1/16W	
R4138	ERJ3GEYJ103	M 10KOHM, J, 1/16W	
R4139	ERJ3GEYJ103	M 10KOHM, J, 1/16W	
R4140	ERJ3GEYJ272	M 2.7KOHM, J, 1/16W	
R4141	ERJ3GEYJ121	M 120OHM, J, 1/16W	
R4146	ERJ3GEY0R00	M 0OHM, J, 1/16W	
R4148	ERJ3GEY0R00	M 0OHM, J, 1/16W	
R4150	ERJ3GEY0R00	M 0OHM, J, 1/16W	
R4151	ERJ3GEY0R00	M 0OHM, J, 1/16W	
R4152	ERJ3GEY0R00	M 0OHM, J, 1/16W	
R4188	ERJ3GEYJ102	M 1KOHM, J, 1/16W	
R4189	ERJ3GEYJ101	M 100OHM, J, 1/16W	
R4191	ERJ3GEYJ103	M 10KOHM, J, 1/16W	
R4192	ERJ3GEYJ103	M 10KOHM, J, 1/16W	

Ref. No.	Part No.	Part Name & Description	Remarks
R4193	ERJ3GEYJ103	M 10KOHM, J, 1/16W	
R4194	ERJ3EKF1000	F 100OHM, J, 1/10W	
R4195	ERJ3GEYJ101	M 100OHM, J, 1/16W	
R4196	ERJ3EKF1000	F 100OHM, J, 1/10W	
R4197	ERJ3GEYJ101	M 100OHM, J, 1/16W	
R4198	ERJ3EKF1000	F 100OHM, J, 1/10W	
R4199	ERJ3GEYJ103	M 10KOHM, J, 1/16W	
R4200	ERJ3EKF1000	F 100OHM, J, 1/10W	
R4201	ERJ3GEYJ103	M 10KOHM, J, 1/16W	
R4202	ERJ3EKF1000	F 100OHM, J, 1/10W	
R4203	ERJ3GEYJ102	M 1KOHM, J, 1/16W	
R4204	ERJ3EKF1600	F 160OHM, J, 1/10W	
R4205	ERJ3EKF1600	F 160OHM, J, 1/10W	
R4206	ERJ3EKF1600	F 160OHM, J, 1/10W	
R4207	ERJ3EKF1600	F 160OHM, J, 1/10W	
R4208	ERJ3EKF1600	F 160OHM, J, 1/10W	
R4209	ERJ3GEY0R00	M 0OHM, J, 1/16W	
R4210	ERJ3GEY0R00	M 0OHM, J, 1/16W	
R4214	ERJ3GEYJ101	M 100OHM, J, 1/16W	
R4215	ERJ3GEYJ101	M 100OHM, J, 1/16W	
R4216	ERJ3GEYJ103	M 10KOHM, J, 1/16W	
R4217	ERJ3GEYJ101	M 100OHM, J, 1/16W	
R4218	ERJ3GEYJ101	M 100OHM, J, 1/16W	
R4219	ERJ3GEYJ102	M 1KOHM, J, 1/16W	
R4220	ERJ3GEYJ102	M 1KOHM, J, 1/16W	
R4221	ERJ3GEYJ102	M 1KOHM, J, 1/16W	
R4222	ERJ3GEYJ103	M 10KOHM, J, 1/16W	
R4225	ERJ3GEYJ103	M 10KOHM, J, 1/16W	
R4226	ERJ3GEYJ332	M 3.3KOHM, J, 1/16W	
R4228	ERJ3GEYJ102	M 1KOHM, J, 1/16W	
R4229	ERJ3GEYJ392	M 3.9KOHM, J, 1/16W	
R4230	ERJ3GEYJ392	M 3.9KOHM, J, 1/16W	
R4231	ERJ3GEYJ103	M 10KOHM, J, 1/16W	
R4232	ERJ3GEYJ103	M 10KOHM, J, 1/16W	
R4233	ERJ3GEYJ103	M 10KOHM, J, 1/16W	
R4234	ERJ3GEYJ103	M 10KOHM, J, 1/16W	
R4235	ERJ3GEYJ103	M 10KOHM, J, 1/16W	
R4236	ERJ3GEYJ103	M 10KOHM, J, 1/16W	
R4237	ERJ3GEYJ103	M 10KOHM, J, 1/16W	
R4238	ERJ3GEYJ103	M 10KOHM, J, 1/16W	
R4239	ERJ3GEYJ103	M 10KOHM, J, 1/16W	
R4240	ERJ3GEYJ103	M 10KOHM, J, 1/16W	
R4241	ERJ3GEYJ103	M 10KOHM, J, 1/16W	
R4242	ERJ3GEYJ103	M 10KOHM, J, 1/16W	
R4243	ERJ3GEYJ103	M 10KOHM, J, 1/16W	
R4244	ERJ3GEYJ101	M 100OHM, J, 1/16W	
R4245	ERJ3GEYJ103	M 10KOHM, J, 1/16W	
R4246	ERJ3GEYJ103	M 10KOHM, J, 1/16W	
R4247	ERJ3GEYJ103	M 10KOHM, J, 1/16W	
R4248	ERJ3GEYJ103	M 10KOHM, J, 1/16W	
R4249	ERJ3GEYJ103	M 10KOHM, J, 1/16W	
R4251	ERJ3GEYJ101	M 100OHM, J, 1/16W	
R4253	D0GB1R8JA008	F 1.8OHM, J, 1/10W	
R4254	ERJ3GEYJ103	M 10KOHM, J, 1/16W	
R4255	ERJ3GEYJ104	M 100KOHM, J, 1/16W	
R4256	ERJ3GEY0R00	M 0OHM, J, 1/16W	
R4257	ERJ3GEYJ103	M 10KOHM, J, 1/16W	
R4258	ERJ3GEYJ473	M 47KOHM, J, 1/16W	
R4259	ERJ3GEYJ473	M 47KOHM, J, 1/16W	
R4271	ERJ3GEYJ221	M 220OHM, J, 1/16W	
R4272	ERJ3GEYJ221	M 220OHM, J, 1/16W	
R4273	ERJ3GEYJ221	M 220OHM, J, 1/16W	
R4274	ERJ3GEYJ221	M 220OHM, J, 1/16W	
R4275	ERJ3GEYJ221	M 220OHM, J, 1/16W	
R4276	ERJ3GEYJ221	M 220OHM, J, 1/16W	
R4277	ERJ3GEYJ221	M 220OHM, J, 1/16W	
R4278	ERJ3GEYJ221	M 220OHM, J, 1/16W	
R4279	ERJ3GEYJ221	M 220OHM, J, 1/16W	
R4280	ERJ3GEYJ221	M 220OHM, J, 1/16W	
R4281	ERJ3GEYJ332	M 3.3KOHM, J, 1/16W	
R4282	ERJ3GEYJ332	M 3.3KOHM, J, 1/16W	
R4325	ERJ2GE0R00X	F 0OHM, J, 1/10W	
R4326	ERJ2GE0R00X	F 0OHM, J, 1/10W	

Ref. No.	Part No.	Part Name & Description	Remarks
R4328	ERJ3GEYJ101	M 100OHM, J, 1/16W	
R4331	ERJ3GEYJ103	M 10KOHM, J, 1/16W	
R4334	ERJ3GEYJ103	M 10KOHM, J, 1/16W	
R4335	ERJ3GEYJ473	M 47KOHM, J, 1/16W	
R4336	ERJ3GEYJ103	M 10KOHM, J, 1/16W	
R4337	ERJ3GEYJ680	M 68OHM, J, 1/16W	
R4338	ERJ3GEYJ680	M 68OHM, J, 1/16W	
R4501	ERJ3GEYJ473	M 47KOHM, J, 1/16W	
R4502	ERJ3GEYJ103	M 10KOHM, J, 1/16W	
R4504	ERJ3GEYJ103	M 10KOHM, J, 1/16W	
R4505	ERJ3GEYJ103	M 10KOHM, J, 1/16W	
R4506	ERJ3GEYJ473	M 47KOHM, J, 1/16W	
R4750	ERJ2GE0R00X	F 0OHM, J, 1/10W	
R4751	ERJ2GE0R00X	F 0OHM, J, 1/10W	
R4752	ERJ2GE0R00X	F 0OHM, J, 1/10W	
R4753	ERJ2GE0R00X	F 0OHM, J, 1/10W	
R4754	ERJ2GE0R00X	F 0OHM, J, 1/10W	
R4755	ERJ2GE0R00X	F 0OHM, J, 1/10W	
R4756	ERJ2GE0R00X	F 0OHM, J, 1/10W	
R4757	ERJ2GE0R00X	F 0OHM, J, 1/10W	
R4758	ERJ2GE0R00X	F 0OHM, J, 1/10W	
R4759	ERJ2GE0R00X	F 0OHM, J, 1/10W	
R4810	ERJ3GEYJ223	M 22KOHM, J, 1/16W	
R4811	ERJ3GEYJ333	M 33KOHM, J, 1/16W	
R5001	ERJ3GEYJ390	M 39OHM, J, 1/16W	
R5002	ERJ3GEYJ390	M 39OHM, J, 1/16W	
R5005	ERJ3GEYJ103	M 10KOHM, J, 1/16W	
R5006	ERJ3GEYJ103	M 10KOHM, J, 1/16W	
R5007	ERJ3GEYJ2R7	M 2.7OHM, J, 1/16W	
R5008	ERJ3GEYJ2R7	M 2.7OHM, J, 1/16W	
R5009	ERJ3GEYJ2R7	M 2.7OHM, J, 1/16W	
R5010	ERJ3GEYJ2R7	M 2.7OHM, J, 1/16W	
R5011	ERJ3GEYJ2R7	M 2.7OHM, J, 1/16W	
R5012	ERJ3GEYJ2R7	M 2.7OHM, J, 1/16W	
R5013	ERJ3GEYJ2R7	M 2.7OHM, J, 1/16W	
R5014	ERJ3GEYJ2R7	M 2.7OHM, J, 1/16W	
R5015	ERJ3GEYJ2R7	M 2.7OHM, J, 1/16W	
R5016	ERJ3GEYJ2R7	M 2.7OHM, J, 1/16W	
R5017	ERJ3GEYJ2R7	M 2.7OHM, J, 1/16W	
R5018	ERJ3GEYJ2R7	M 2.7OHM, J, 1/16W	
R5019	ERJ3GEYJ2R7	M 2.7OHM, J, 1/16W	
R5020	ERJ3GEYJ2R7	M 2.7OHM, J, 1/16W	
R5021	ERJ3GEYJ2R7	M 2.7OHM, J, 1/16W	
R5022	ERJ3GEYJ2R7	M 2.7OHM, J, 1/16W	
R5023	ERJ2GE0R00X	F 0OHM, J, 1/10W	
R5024	ERJ3GEYJ103	M 10KOHM, J, 1/16W	
R5025	ERJ3GEYJ103	M 10KOHM, J, 1/16W	
R5026	ERJ2GE0R00X	F 0OHM, J, 1/10W	
R5027	ERJ3GEYJ103	M 10KOHM, J, 1/16W	
R5028	ERJ3GEYJ103	M 10KOHM, J, 1/16W	
R5029	ERJ3GEYJ103	M 10KOHM, J, 1/16W	
R5030	ERJ3GEYJ472	M 4.7KOHM, J, 1/16W	
R5031	ERJ3GEYJ472	M 4.7KOHM, J, 1/16W	
R5032	ERJ3GEYJ103	M 10KOHM, J, 1/16W	
R5035	ERJ3GEYJ472	M 4.7KOHM, J, 1/16W	
R5036	ERJ3GEYJ472	M 4.7KOHM, J, 1/16W	
R5038	ERJ3GEYJ473	M 47KOHM, J, 1/16W	
R5039	ERJ3GEYJ560	M 56OHM, J, 1/16W	
R5040	ERJ3GEYJ473	M 47KOHM, J, 1/16W	
R5041	ERJ3GEYJ560	M 56OHM, J, 1/16W	
R5043	ERJ3GEYJ560	M 56OHM, J, 1/16W	
R5045	ERJ3GEYJ560	M 56OHM, J, 1/16W	
R5048	ERJ3GEYJ472	M 4.7KOHM, J, 1/16W	
R5049	ERJ3GEYJ472	M 4.7KOHM, J, 1/16W	
R5052	ERJ3GEYJ472	M 4.7KOHM, J, 1/16W	
R5053	ERJ3GEYJ472	M 4.7KOHM, J, 1/16W	
R5054	ERJ3GEYJ101	M 100OHM, J, 1/16W	
R5055	ERJ3GEYJ101	M 100OHM, J, 1/16W	
R5057	ERJ3GEYJ103	M 10KOHM, J, 1/16W	
R5058	ERJ3GEYJ330	M 33OHM, J, 1/16W	
R5060	ERJ3GEYJ103	M 10KOHM, J, 1/16W	
R5061	ERJ3GEYJ220	M 22OHM, J, 1/16W	
R5062	ERJ3GEYJ220	M 22OHM, J, 1/16W	

Ref. No.	Part No.	Part Name & Description	Remarks
R5063	ERJ3GEYJ330	M 330HM, J, 1/16W	
R5064	ERJ3GEYJ220	M 220HM, J, 1/16W	
R5065	ERJ3GEYJ330	M 330HM, J, 1/16W	
R5066	ERJ3GEYJ220	M 220HM, J, 1/16W	
R5067	ERJ3GEYJ330	M 330HM, J, 1/16W	
R5068	ERJ3GEYJ220	M 220HM, J, 1/16W	
R5070	ERJ3GEYJ220	M 220HM, J, 1/16W	
R5073	ERJ3GEYJ105	M 1MOHM, J, 1/16W	
R5075	ERJ3GEYJ821	M 820OHM, J, 1/16W	
R5077	ERJ3GEYJ182	M 1.8KOHM, J, 1/16W	
R5078	ERJ3GEYJ220	M 220HM, J, 1/16W	
R5080	ERJ3GEYJ220	M 220HM, J, 1/16W	
R5081	ERJ3GEYJ182	M 1.8KOHM, J, 1/16W	
R5082	ERJ3GEYJ220	M 220HM, J, 1/16W	
R5083	EXB38V220JV	RESISTOR ARRAY	
R5084	EXB2HV220JV	RESISTOR ARRAY	
R5085	ERJ2GEJ220X	F 220HM, J, 1/10W	
R5086	EXB2HV220JV	RESISTOR ARRAY	
R5087	EXB2HV220JV	RESISTOR ARRAY	
R5088	ERJ3GEY0R00	M 0OHM, J, 1/16W	
R5091	ERJ3GEY0R00	M 0OHM, J, 1/16W	
R5093	ERJ3EKF2612	F 26.1KOHM, J, 1/10W	
R5094	ERJ3GEYJ221	M 220OHM, J, 1/16W	
R5095	ERJ3EKF4703	F 470KOHM, J, 1/10W	
R5096	ERJ3GEYJ104	M 100KOHM, J, 1/16W	
R5097	ERJ3GEYJ473	M 47KOHM, J, 1/16W	
R5098	ERJ3EKF2203	F 220KOHM, J, 1/10W	
R5099	ERJ3GEYJ472	M 4.7KOHM, J, 1/16W	
R5100	DOGB475JA008	F 4.7MOHM, J, 1/10W	
R5101	ERJ3GEY0R00	M 0OHM, J, 1/16W	
R5102	ERJ3GEYJ223	M 220OHM, J, 1/16W	
R5103	ERJ3GEYJ103	M 10KOHM, J, 1/16W	
R5104	ERJ3GEYJ102	M 1KOHM, J, 1/16W	
R5105	ERJ3GEYJ103	M 10KOHM, J, 1/16W	
R5106	ERJ3GEYJ102	M 1KOHM, J, 1/16W	
R5107	EXB2HV104JV	RESISTOR ARRAY	
R5108	EXB2HV104JV	RESISTOR ARRAY	
R5109	EXB2HV104JV	RESISTOR ARRAY	
R5110	ERJ3GEYJ104	M 100KOHM, J, 1/16W	
R5111	ERJ3GEYJ104	M 100KOHM, J, 1/16W	
R5112	ERJ3GEYJ104	M 100KOHM, J, 1/16W	
R5113	ERJ3GEYJ104	M 100KOHM, J, 1/16W	
R5114	ERJ3GEY0R00	M 0OHM, J, 1/16W	
R5116	ERJ3GEY0R00	M 0OHM, J, 1/16W	
R5117	ERJ3GEY0R00	M 0OHM, J, 1/16W	
R5118	ERJ3GEY0R00	M 0OHM, J, 1/16W	
R5119	ERJ3GEY0R00	M 0OHM, J, 1/16W	
R5124	ERJ3GEY0R00	M 0OHM, J, 1/16W	
R5125	ERJ3GEYJ220	M 220HM, J, 1/16W	
R5126	ERJ3GEYJ220	M 220HM, J, 1/16W	
R5130	ERJ3GEYJ473	M 47KOHM, J, 1/16W	
R5131	ERJ3GEYJ473	M 47KOHM, J, 1/16W	
R5132	ERJ3GEYJ220	M 220HM, J, 1/16W	
R802	ERG2SJV473E	M 47KOHM, J, 2W	
R803	DOAW825JA001	C 8.2MOHM, J, 1/16W	△
R808	ERC12ZGK225D	S 2.2MOHM, J, 1/2W	△
R809	ERG2FJ331H	M 330OHM, J, 2W	
R813	ERDS2TJ471	C 470OHM, J, 1/4W	
R820	ERDS2TJ223	C 22KOHM, J, 1/4W	
R821	ERDS2TJ102	C 1KOHM, J, 1/4W	
R824	ERDS2TJ561	C 560OHM, J, 1/4W	
R831	ERG2SJV104E	M 100OHM, J, 3W	
R832	ERG3FJS470E	M 47OHM, J, 3W	
R833	DOC1390JA051	M 39OHM, J, 1W	
R834	ERDS2TJ102	C 1KOHM, J, 1/4W	
R841	DOAE823JA046	C 82KOHM, J, 1/4W	
R842	ERDS2TJ391	C 390OHM, J, 1/4W	
R843	ERX2FZJR12H	M 0.12OHM, J, 2W	
R844	ERX2FZJR15H	M 0.15OHM, J, 2W	
R845	ERDS2TJ473	C 47KOHM, J, 1/4W	
R846	ERDS2TJ182	C 1.8KOHM, J, 1/4W	
R848	ERDS2TJ561	C 560OHM, J, 1/4W	
R865	ERDS1TJ100	C 10OHM, J, 1/2W	

Ref. No.	Part No.	Part Name & Description	Remarks
R880	ERX12SJ2R2E	M 2.2OHM, J, 1/2W	
R881	ERDS1TJ181	C 180OHM, J, 1/2W	
R882	ERDS2TJ123	C 12KOHM, J, 1/4W	
R883	ERDS2TJ104	C 100KOHM, J, 1/4W	
R884	ERDS1TJ105	C 1MOHM, J, 1/2W	
R886	ERG1SJ104P	M 100KOHM, J, 1W	
R887	D1F5100E0002	WIRE WOUND RESISTOR	
R888	ERDS1TJ514	C 510KOHM, J, 1/2W	
R889	EROS2CHF6801	M 6.8KOHM, J, 1/4W	
R890	EROS2CHF4301	M 4.3KOHM, F, 1/4W	
R891	ERDS2TJ330	C 33OHM, J, 1/4W	
R892	ERDS2TJ332	C 3.3KOHM, J, 1/4W	
R904	ERJ3GEYJ473	M 47KOHM, J, 1/16W	
R905	ERJ3GEYJ103	M 10KOHM, J, 1/16W	
R906	ERJ3GEYJ102	M 1KOHM, J, 1/16W	
R908	ERJ3GEYJ102	M 1KOHM, J, 1/16W	
R909	ERDS2TJ103	C 10KOHM, J, 1/4W	
R910	ERJ3GEYJ473	M 47KOHM, J, 1/16W	
R911	DOGD102JA017	F 1KOHM, J, 1/10W	
R916	ERJ3EKF1201	M 1.2KOHM, F, 1/16W	
R917	ERJ3EKF6491	F 6.49KOHM, J, 1/10W	
R918	ERJ3EKF1241	F 1.24KOHM, J, 1/10W	
R919	ERJ3EKF6190	F 619OHM, J, 1/10W	
R920	ERJ3EKF1001	M 1KOHM, F, 1/16W	
R921	ERJ3EKF1691	F 1.69KOHM, J, 1/10W	
R933	ERJ3EKF1303	F 130KOHM, J, 1/10W	
R934	ERJ3EKF4222	F 42.2KOHM, J, 1/10W	
R937	ERJ3GEYJ333	M 33KOHM, J, 1/16W	
R941	ERJ3GEYJ103	M 10KOHM, J, 1/16W	
R942	ERJ3GEYJ473	M 47KOHM, J, 1/16W	
R943	ERDS2TJ103	C 10KOHM, J, 1/4W	
R946	ERJ3GEYJ102	M 1KOHM, J, 1/16W	
R947	ERJ3GEYJ102	M 1KOHM, J, 1/16W	
R949	ERJ3EKF2491	M 2.49KOHM, F, 1/10W	
R950	ERJ3EKF8200	F 4.7MOHM, J, 1/10W	
R951	ERJ3GEYJ103	M 10KOHM, J, 1/16W	
R952	ERJ3GEYJ103	M 10KOHM, J, 1/16W	
R953	ERJ3GEYJ473	M 47KOHM, J, 1/16W	
R954	ERJ3GEYJ102	M 1KOHM, J, 1/16W	
R956	ERJ3GEYJ473	M 47KOHM, J, 1/16W	
R957	ERJ3GEYJ102	M 1KOHM, J, 1/16W	
R960	ERDS1TJ302	C 3KOHM, J, 1/2W	
R961	ERDS1TJ302	C 3KOHM, J, 1/2W	
R962	ERDS1TJ302	C 3KOHM, J, 1/2W	
R963	ERDS1TJ302	C 3KOHM, J, 1/2W	
R964	ERDS1TJ302	C 3KOHM, J, 1/2W	
R965	ERDS1TJ302	C 3KOHM, J, 1/2W	
R966	ERDS1TJ302	C 3KOHM, J, 1/2W	
R967	ERDS1TJ302	C 3KOHM, J, 1/2W	
	TRANSFORMERS		
T801	ETS42BM166AD	SWITCHING TRANS	△
T880	ETS15AB146AH	SWITCHING TRANS	
	OTHERS		
A1	K1KB23A00003	CONNECTOR	
A10	K1KA08AA0193	CONNECTOR	
A15	K1FB115B0122	CONNECTOR	
A2	K1KB23A00003	CONNECTOR	
A3	K1KA04AA0190	CONNECTOR	
A4	K1KA05AA0193	CONNECTOR	
A5	K1KA10AA0194	CONNECTOR	
A7	K1KA08AA0193	CONNECTOR	
A8A	K1KB30B00044	CONNECTOR	
A9	K1KA10AA0105	CONNECTOR	
AP1	K1KA19A00007	CONNECTOR	
AP2	K1KA15A00118	CONNECTOR	
AP3	K1KA23A00005	CONNECTOR	
AP4	K1KA23A00005	CONNECTOR	
AP5	K1KA14AA0194	CONNECTOR	
AP6	K1KA03AA0190	CONNECTOR	
F801	K5D502BNA005	FUSE	△
FL4001	JOMAB0000169	LC FILTER	
FL4002	JOMAB0000169	LC FILTER	
FL4003	JOMAB0000169	LC FILTER	

Ref. No.	Part No.	Part Name & Description	Remarks
FL5001	F1J1A1050020	CERAMIC CAPACITOR	
FL5002	F1J1A1050020	CERAMIC CAPACITOR	
G1	K1KA05AA0193	CONNECTOR	
G2	K1KA10AA0191	CONNECTOR	
JA1	ERJ6GEY0R00	M 0OHM, J, 1/10W	
JA1	ERJ8GEY0R00	M 0OHM, J, 1/8W	
JA10	ERJ8GEY0R00	M 0OHM, J, 1/8W	
JA2	ERJ6GEY0R00	M 0OHM, J, 1/10W	
JA2	ERJ8GEY0R00	M 0OHM, J, 1/8W	
JA3	ERJ8GEY0R00	M 0OHM, J, 1/8W	
JA3	ERJ8GEY0R00	M 0OHM, J, 1/8W	
JA4	ERJ8GEY0R00	M 0OHM, J, 1/8W	
JA5	ERJ8GEY0R00	M 0OHM, J, 1/8W	
JA6	ERJ8GEY0R00	M 0OHM, J, 1/8W	
JA7	ERJ8GEY0R00	M 0OHM, J, 1/8W	
JA8	ERJ8GEY0R00	M 0OHM, J, 1/8W	
JA9	ERJ8GEY0R00	M 0OHM, J, 1/8W	
JK3001	K4BK13A00002	AV TERMINAL	
JK3002	K4BK20A00003	AV TERMINAL	
JK3003	K4BK04A00003	AV TERMINAL	
JK3501	K4BK24B00003	AV TERMINAL	
JK5001	K1FA119E0008	HDMI TERMINAL	
JK5002	K1FA119E0008	HDMI TERMINAL	
JS1801	ERJ3GEY0R00	M 0OHM, J, 1/16W	
JS1809	ERJ2GEOR00X	FIXED RESISTOR	
JS2004	ERJ6GEY0R00	M 0OHM, J, 1/10W	
JS2306	ERJ2GEOR00X	FIXED RESISTOR	
JS3240	ERJ3GEY0R00	M 0OHM, J, 1/16W	
JS3241	ERJ3GEY0R00	M 0OHM, J, 1/16W	
JS3242	ERJ3GEY0R00	M 0OHM, J, 1/16W	
JS3243	ERJ3GEY0R00	M 0OHM, J, 1/16W	
JS3244	ERJ3GEY0R00	M 0OHM, J, 1/16W	
JS3501	ERJ6GEY0R00	M 0OHM, J, 1/10W	
JS3502	ERJ6GEY0R00	M 0OHM, J, 1/10W	
JS3503	ERJ6GEY0R00	M 0OHM, J, 1/10W	
JS3601	ERJ6GEY0R00	M 0OHM, J, 1/10W	
JS3602	ERJ6GEY0R00	M 0OHM, J, 1/10W	
JS922	ERJ3GEY0R00	M 0OHM, J, 1/16W	
JS924	ERJ3GEY0R00	M 0OHM, J, 1/16W	
LF801	G0B153H00003	CHOKE COIL	△
LF802	G0B153H00003	CHOKE COIL	△
P1	K1KA02BA0073	CONNECTOR	
P2	K1KB19AA0032	CONNECTOR	
P3	K1KB15AA0032	CONNECTOR	
PC841	B3PAA0000261	PHOTO COUPLER	△
PC880	B3PAA0000261	PHOTO COUPLER	△
RL801	K6B1CDA00028	RELAY	△
RL802	K6B1CDA00028	RELAY	△
RM1001	PNA4701M05TV	IC PHOTO DETECTOR	
SN1001	B3L000000020	PHOTO COUPLER	
SW901	K0F162B00002	PUSH SWITCH	△
TU101	ENG39D03GF	TUNER	△
V1	K1KA08BA0061	CONNECTOR	
X4001	H0J202500011	CRYSTAL OSC	
X5001	H0J283500018	CRYSTAL OSC	